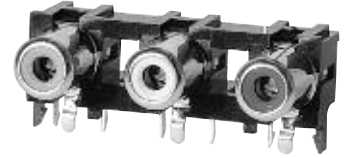
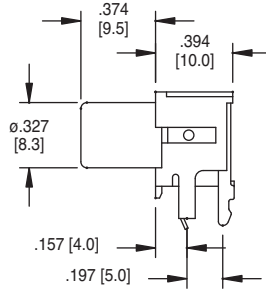
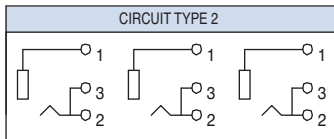
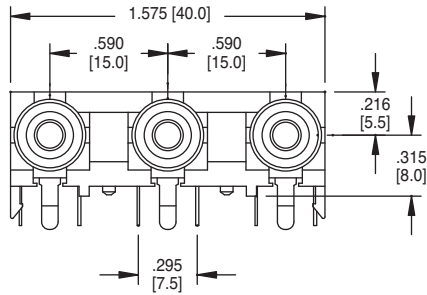
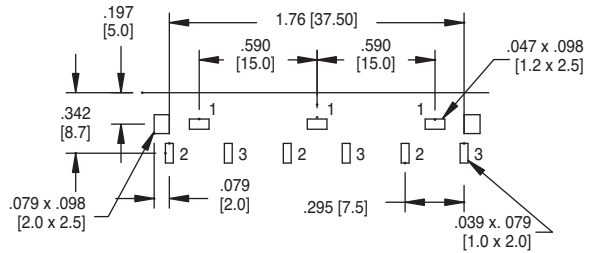


### RCA-7

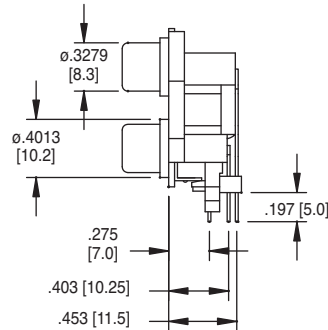
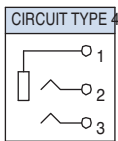
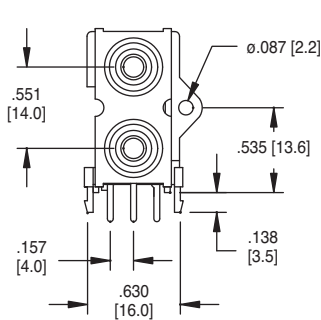


RCA-7-2-Y/W/R

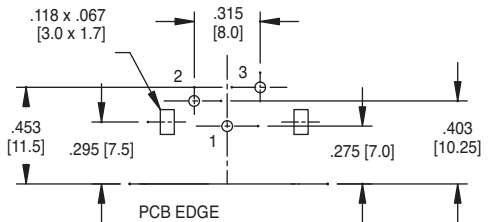


Recommended PCB Layout (Bottom View)

### RCA-8

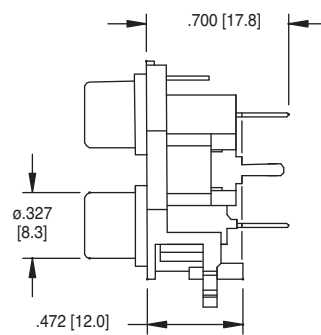
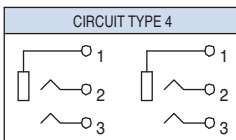
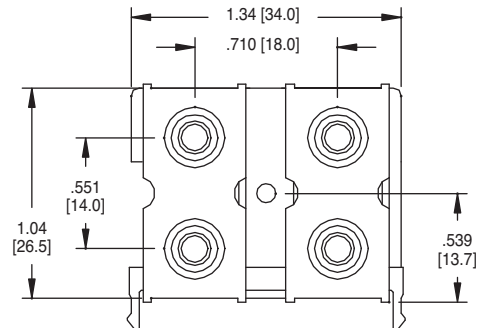


RCA-8-4-W/Y

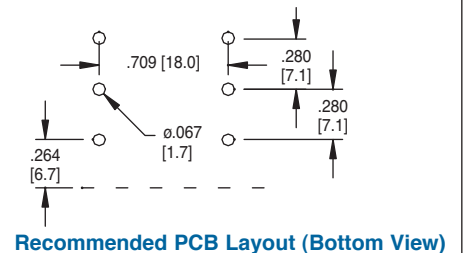


Recommended PCB Layout (Bottom View)

### RCA-9



RCA-9-4-Y/R



Recommended PCB Layout (Bottom View)

