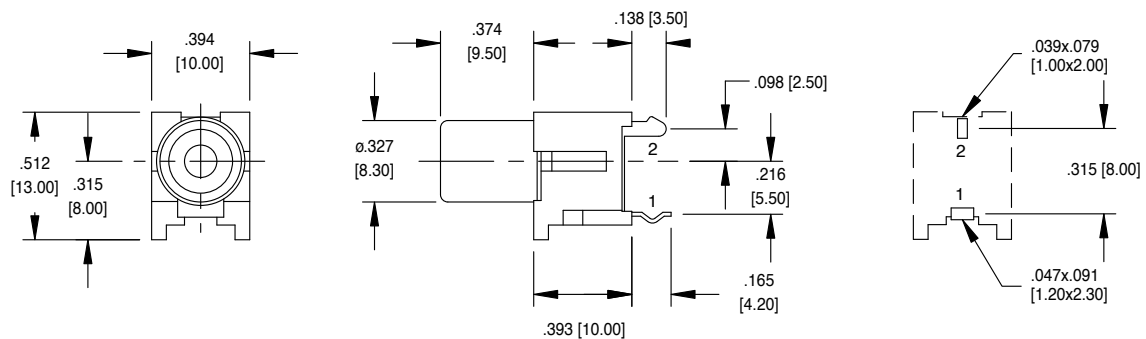


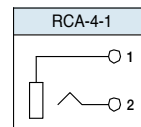
RCA-4



Recommended PCB Layout (Bottom View)

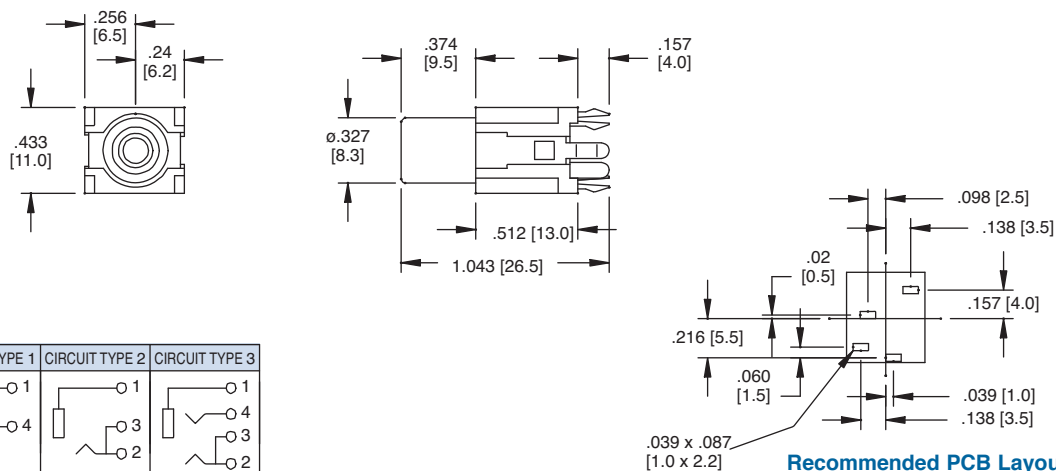


RCA-4-1-B



CIRCUIT

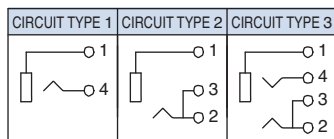
RCA-5



Recommended PCB Layout (Bottom View)

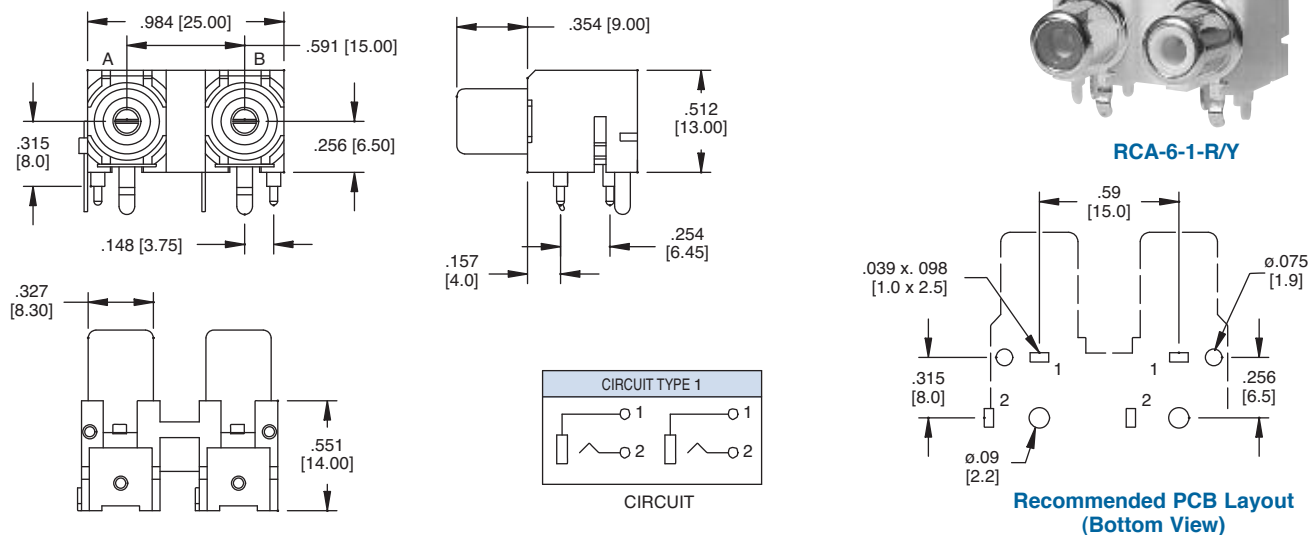


RCA-5-2-R



CIRCUIT

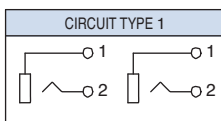
RCA-6



Recommended PCB Layout (Bottom View)



RCA-6-1-R/Y



CIRCUIT