

**INTRODUCTION:**

Adam Tech ADC Series DC Power Jacks are a complete line of miniature and sub-miniature power jacks primarily used for the transmission of wall current transformed to DC power, for detached and hand held instruments. Adam Tech power jacks are manufactured with a variety of center pin sizes for all standard applications including 1.00mm, 1.30mm, 2.00mm and 2.50mm. Our contact is designed using a wide spring grade plated copper alloy for exceptional plug retention and low contact resistance.

**FEATURES:**

- Low Profile designs
- Superior contact system
- Exceptional plug retention
- Choice of Center pin sizes
- Hi Temp Versions
- Hi Current Versions

**MATING PLUGS:**

All industry standard 1.00mm, 1.30mm, 2.00mm, 2.35mm and 2.50mm Plugs.

**SPECIFICATIONS:**

**Material:**

- Standard insulator: PBT Glass reinforced, rated UL94V-0
- Optional Hi-Temp insulator: Nylon 6T, rated UL94V-0
- Insulator Color: Black
- Center Pin: Brass, Nickel plated
- Contacts: Copper alloy

**Contact Plating:**

Silver over nickel underplate

**Electrical:**

- Operating voltage: 12V DC max.
- Current rating: 1 Amp max.
- Contact resistance: 30 mΩ max. initial
- Insulation resistance: 50 MΩ min.
- Dielectric withstanding voltage: 250V AC for 1 minute

**Mechanical:**

- Insertion force: 3 kg max.
- Withdrawal force: 0.3 kg min
- Mating durability: 5000 cycles min.

**Temperature Rating:**

- Operating temperature: -25°C to +85°C
- Soldering process temperature:
  - Standard insulator: 235°C
  - Hi-Temp insulator: 260°C

**PACKAGING:**

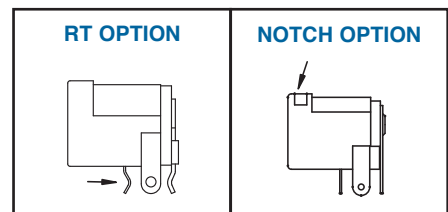
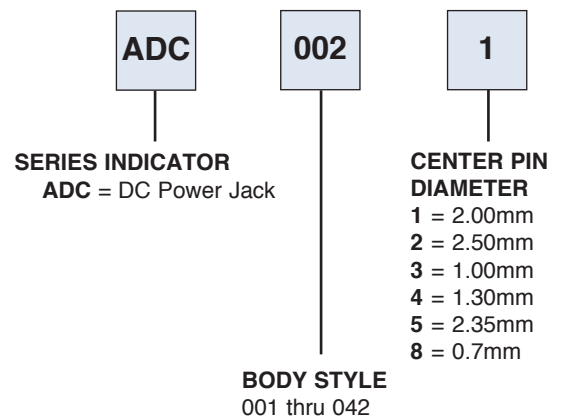
Anti-ESD plastic bags or Tape and Reel

**APPROVALS AND CERTIFICATIONS:**

UL Recognized & CSA Certified, File no. E224053



**ORDERING INFORMATION**



**OPTIONS:**

- Add designator(s) to end of part number
- RT** = PC Board Retention Feature (Type 007 & 009 only)
- HT** = Hi-Temp insulator for Hi-Temp soldering processes up to 260°C
- N** = Notch option, (ADC-002 only)
- ADCH** = DC Power Jack Hi-Current 5 Amp Version