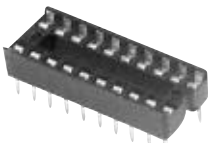
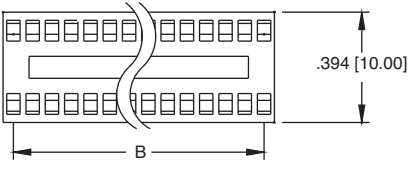
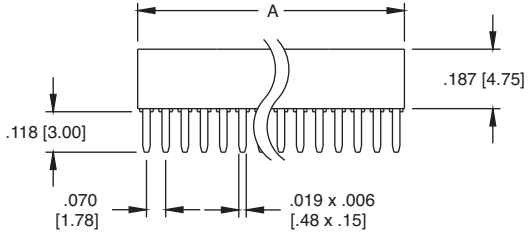
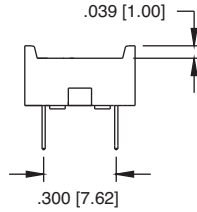
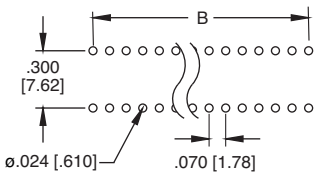


ISD SERIES
.300" ROW CENTERLINE
SHRINK DIP SOCKETS
POSITIONS: 24, 28, 30




ISD-320-T

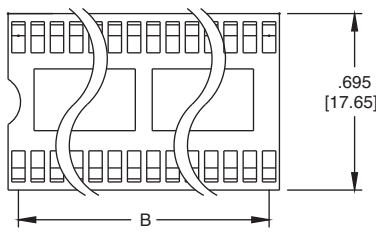
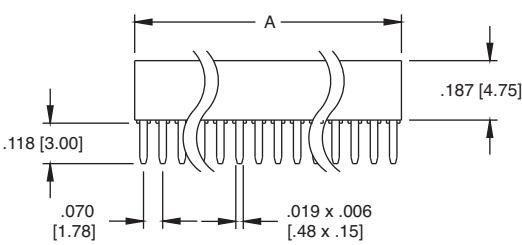
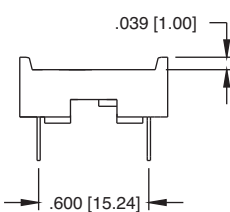
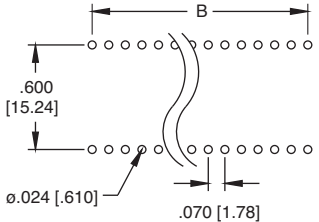
Recommended PCB Layout

A = .070 [1.78] X No. of Positions Per Row
B = .070 [1.78] X No. of Spaces

ISD SERIES
.600" ROW CENTERLINE
SHRINK DIP SOCKETS
POSITIONS: 40, 42




ISD-642-T

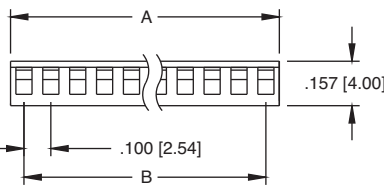
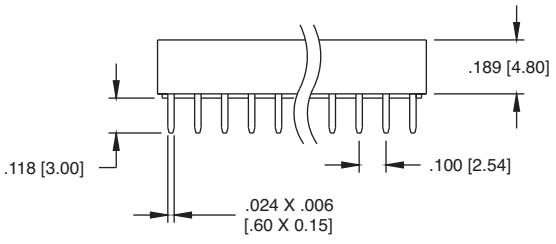
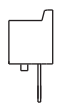
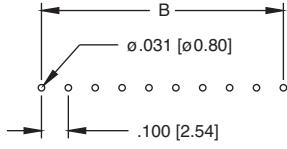
Recommended PCB Layout

A = .070 [1.78] X No. of Positions Per Row
B = .070 [1.78] X No. of Spaces

SIS SERIES
.100" SINGLE ROW
POSITIONS: 2P-20P



SIS-12-T

Recommended PCB Layout

A = .100 [2.54] X No. of Positions
B = .100 [2.54] X No. of Spaces