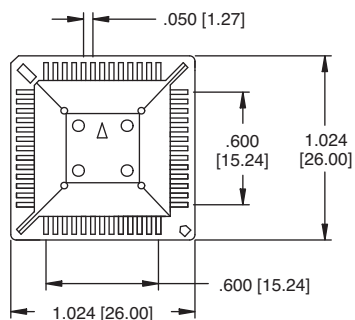
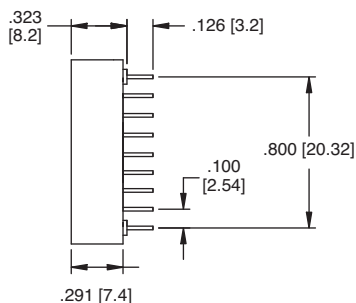


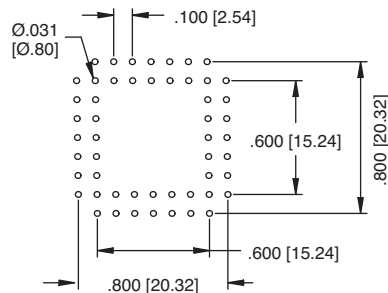
**PLCC-52-AT**



**52 Position Socket**

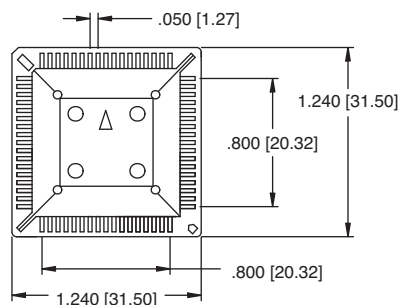


**52 Position Socket**

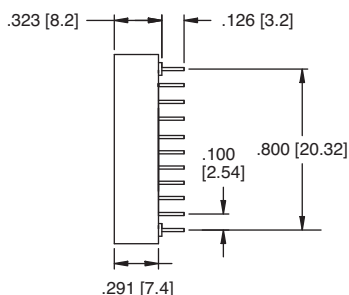


**Recommended PCB Layout**

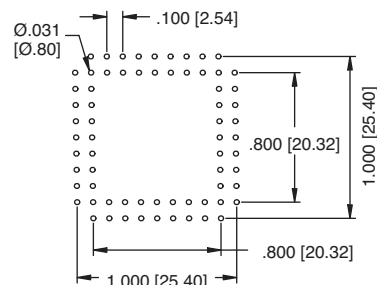
**PLCC-68-AT**



**68 Position Socket**

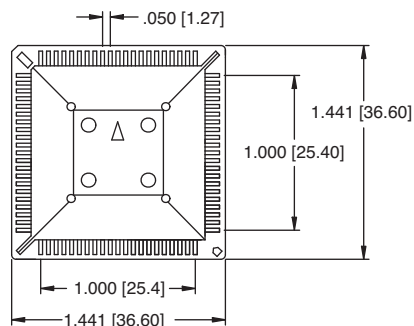


**68 Position Socket**

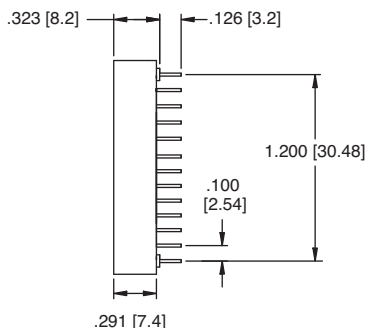


**Recommended PCB Layout**

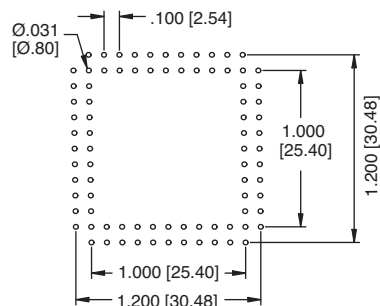
**PLCC-84-AT**



**84 Position Socket**



**84 Position Socket**



**Recommended PCB Layout**