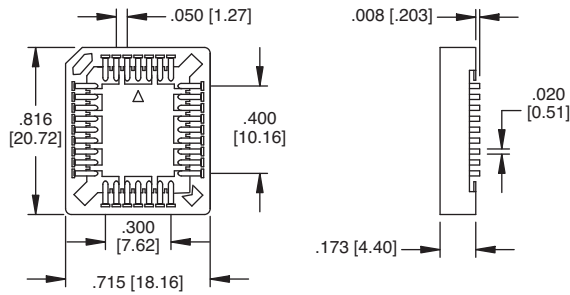


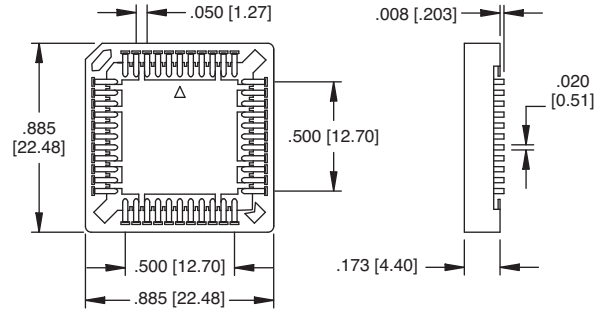
### PLCC-32-AT-SMT

### 32 Position Socket



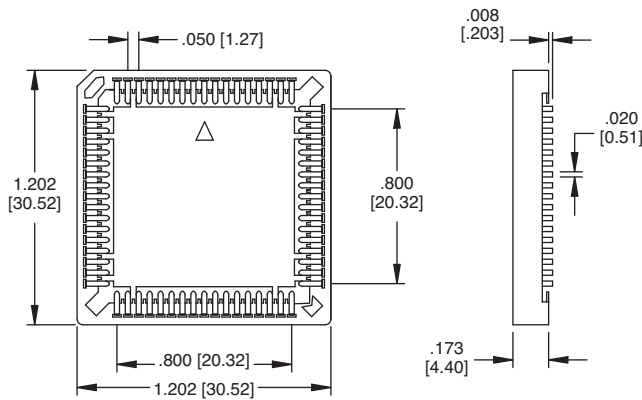
### PLCC-44-AT-SMT

### 44 Position Socket



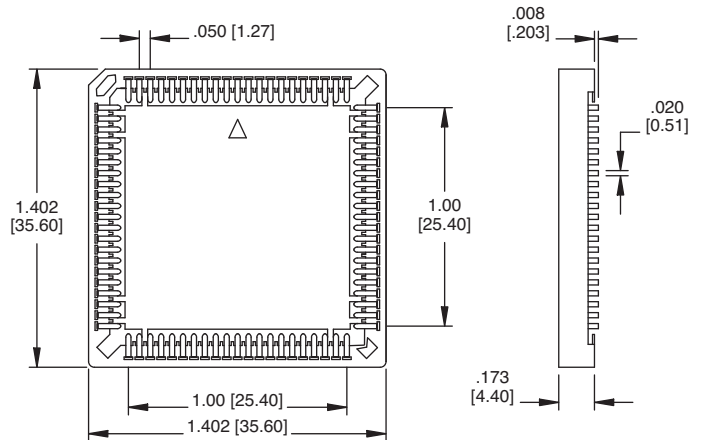
### PLCC-68-AT-SMT

### 68 Position Socket

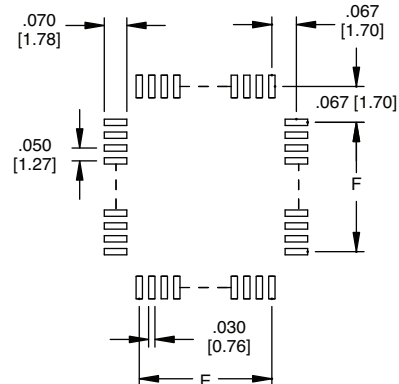


### PLCC-84-AT-SMT

### 84 Position Socket



### Recommended Solder Pad Layout



POSITIONS	E	F
20	.200 [5.08]	.200 [5.08]
28	.300 [7.62]	.300 [7.62]
32	.300 [7.62]	.400 [10.16]
44	.500 [12.70]	.500 [12.70]
52	.600 [15.24]	.600 [15.24]
68	.800 [20.32]	.800 [20.32]
84	1.000 [25.40]	1.000 [25.40]