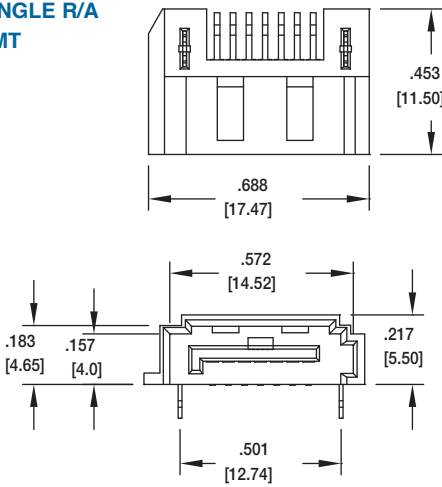
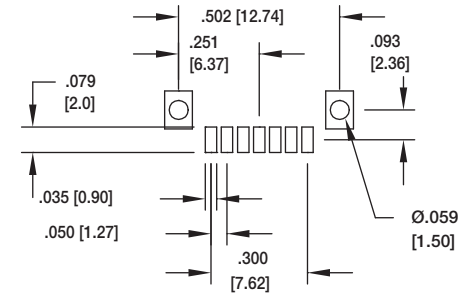


**SATA-A
SINGLE R/A
SMT**

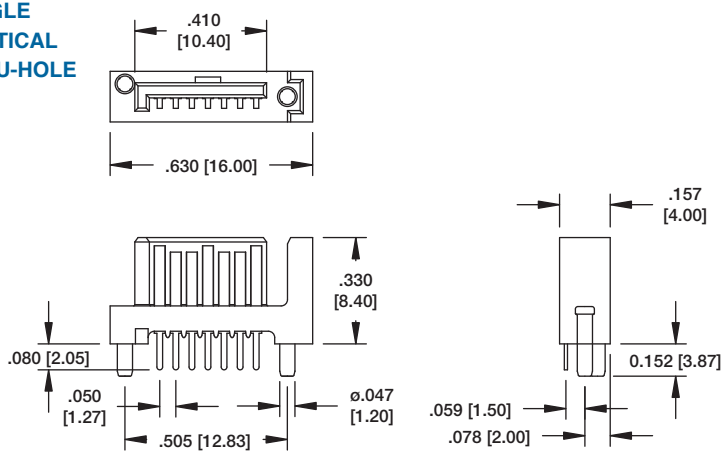


SATA-A-PL-SMT-K

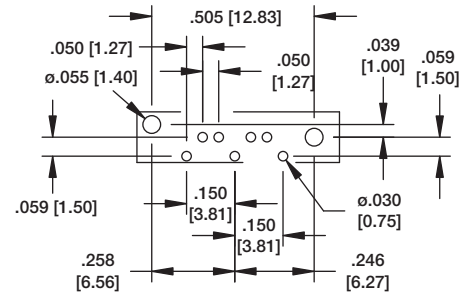


Recommended PCB Layout

**SATA-C
SINGLE
VERTICAL
THRU-HOLE**

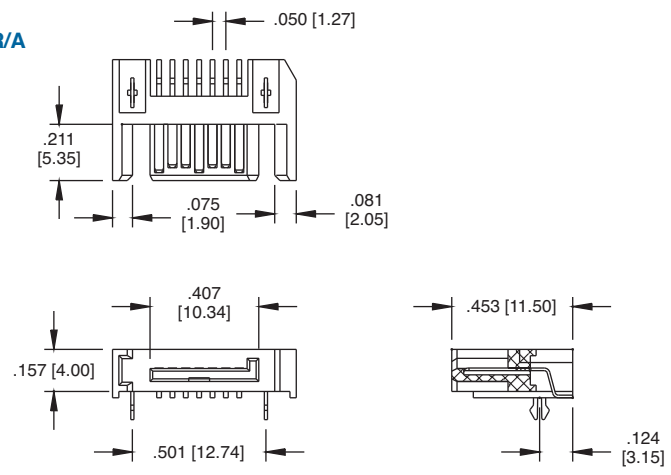


SATA-C-PR-VT-P

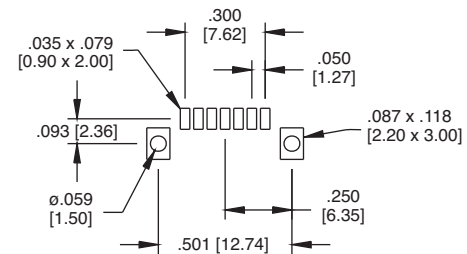


Recommended PCB Layout

**SATA-C
SINGLE R/A
SMT**

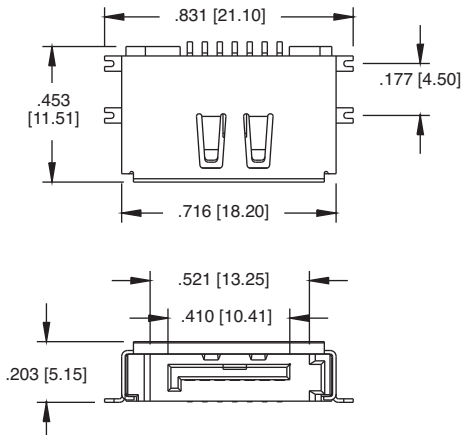


SATA-C-PR-SMT-K

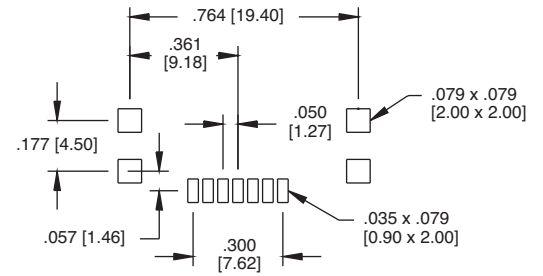


Recommended PCB Layout

SATA-B
SHIELDED, R/A, TRUE SMT

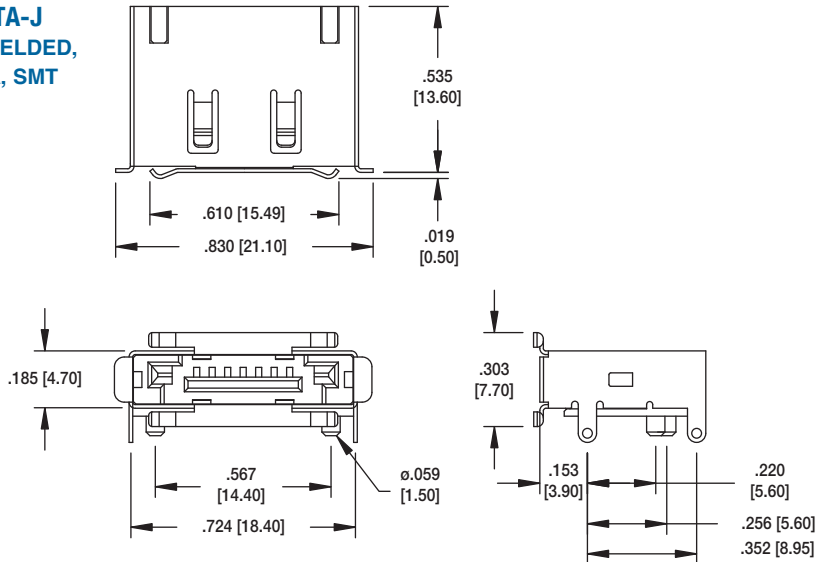


SATA-B-PL-SMT-K

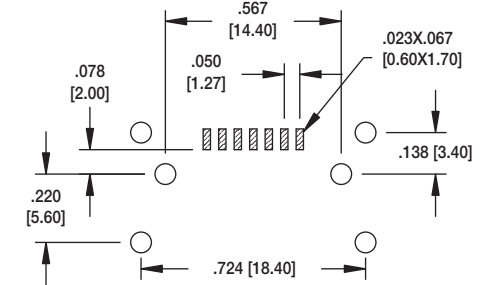


Recommended PCB Layout

SATA-J
SHIELDED, R/A, SMT

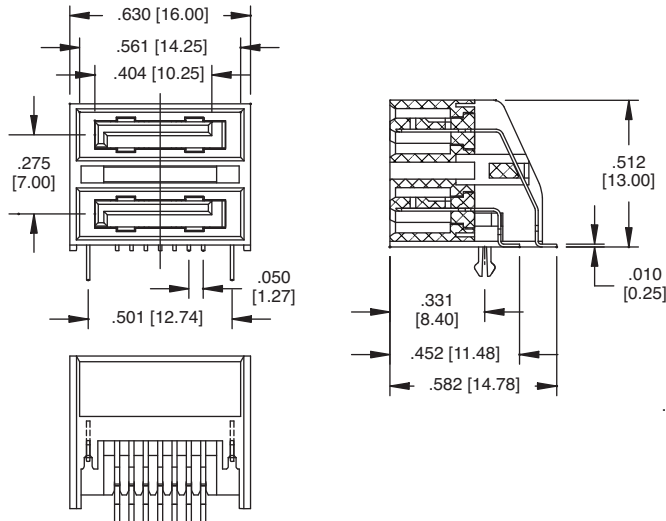


SATA-J-NP-SMT-P-S-PG

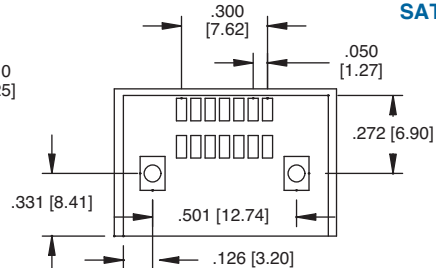


Recommended PCB Layout

SATA-D
DUAL
STACKED
SMT

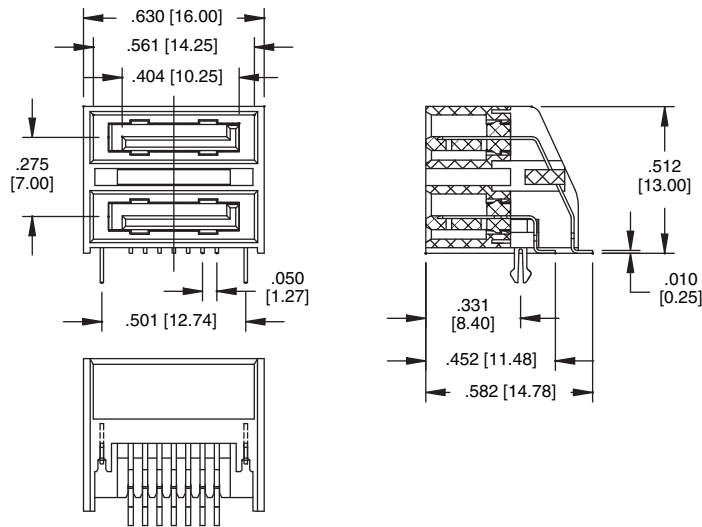


SATA-D-PL-SMT-S

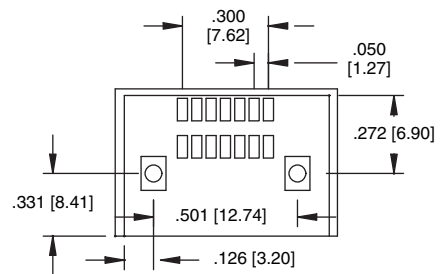


Recommended PCB Layout

**SATA-D
DUAL STACKED, SMT**

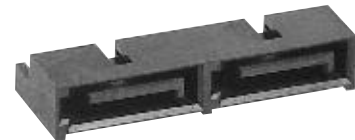
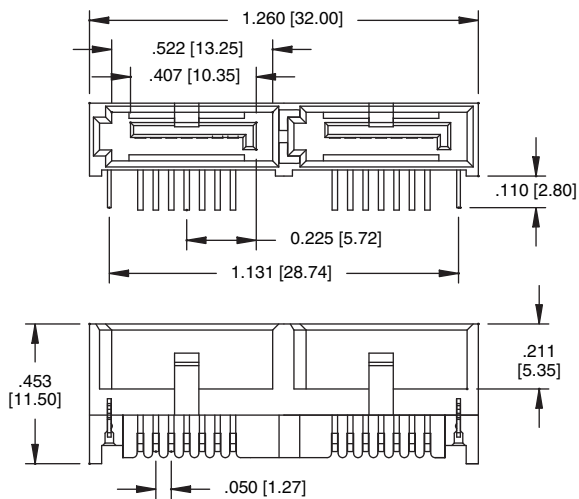


SATA-D-PR-SMT-S

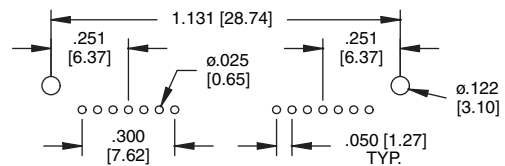
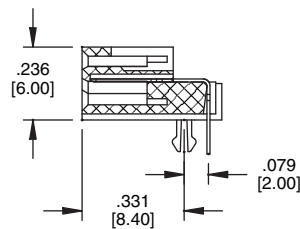


Recommended PCB Layout

**SATA-E
DUAL, SIDE BY SIDE
THRU-HOLE**

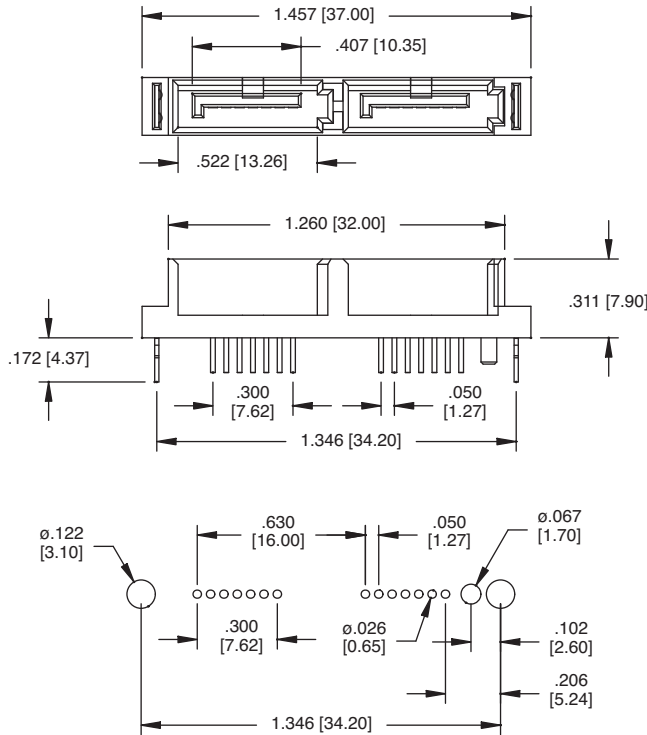


SATA-E-PR-RT-K

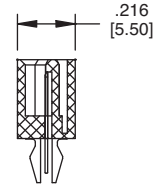


Recommended PCB Layout

**SATA-F
DUAL VERTICAL
THRU-HOLE**

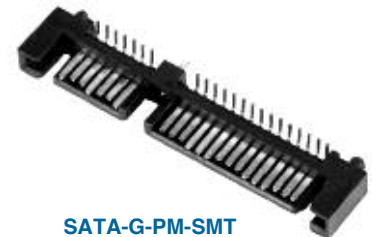
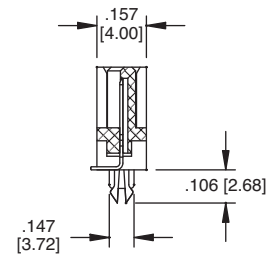
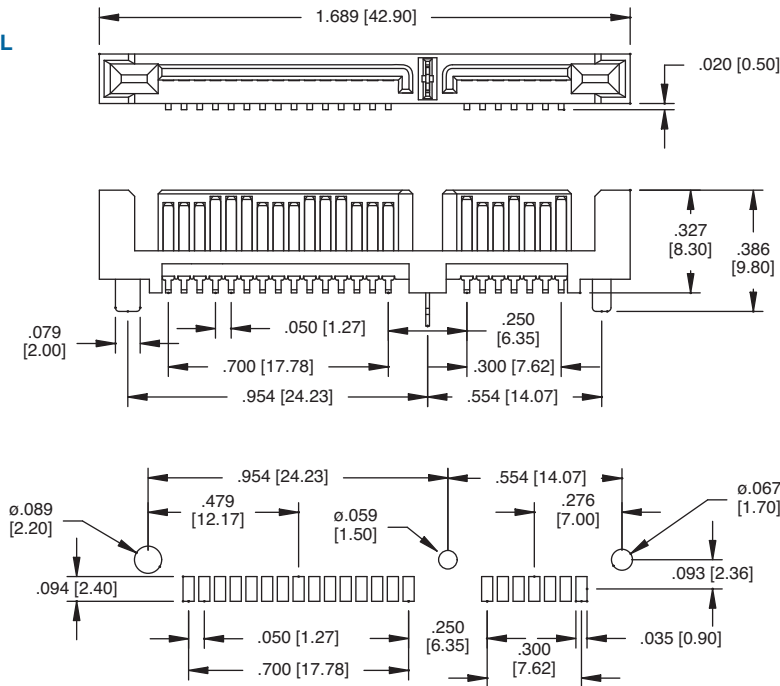


SATA-F-PL-VT-K-P



Recommended PCB Layout

**SATA-G
DUAL
VERTICAL
SMT**



SATA-G-PM-SMT

Recommended PCB Layout

