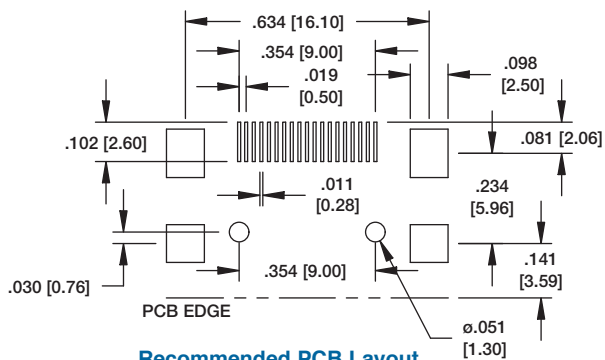
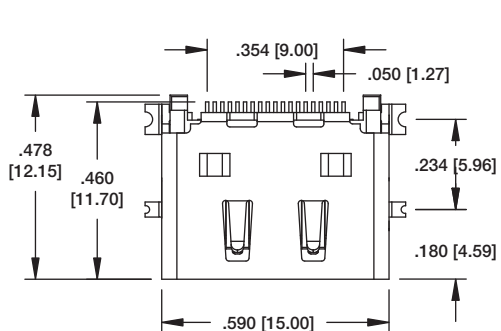
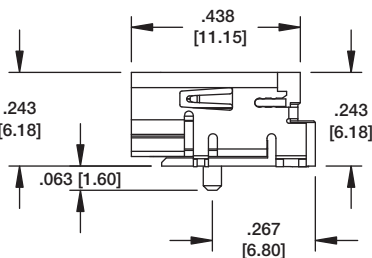
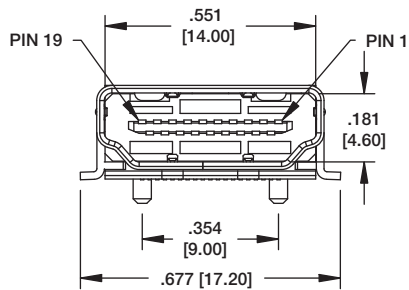


RIGHT ANGLE TRUE SMT

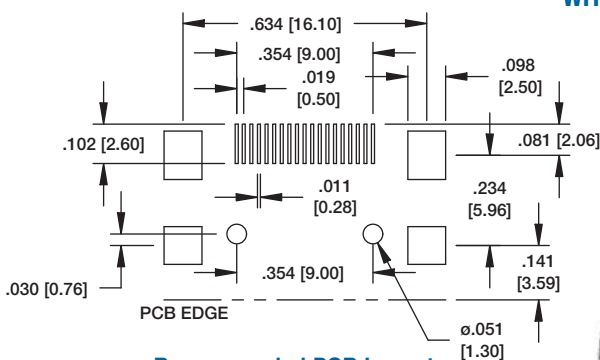
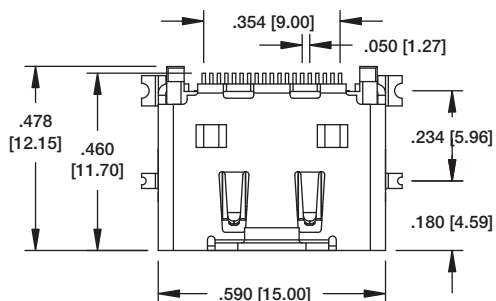


Recommended PCB Layout

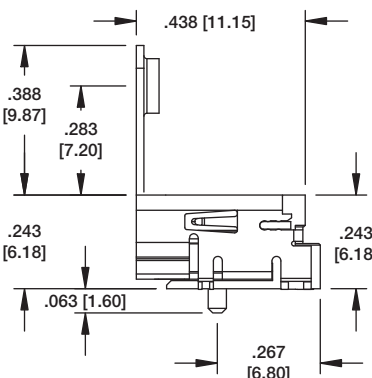
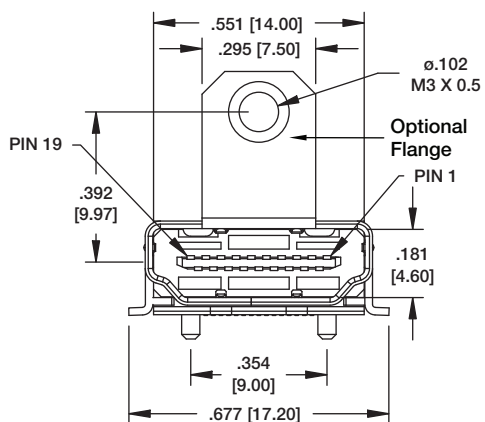


HDMI-S-RA-TSMT

RIGHT ANGLE TRUE SMT WITH MOUNTING FLANGE



Recommended PCB Layout



HDMI-S-RA-TSMT-MF