

INTRODUCTION:

Adam Tech DisplayPort series is a new high band width digital interface connection designed to provide true digital imaging while providing a multitude of colors and crystal clear sound through one small plug which can also supply power. There are 4 main links, one auxiliary channel and one hot-plug signal line. Adam Tech DisplayPort connectors are designed to work on a broad array of devices, including computers, televisions, camcorders, cameras and DVD players. Our DisplayPort connectors are fully compatible with industry standards and are backwards compatible to VGA, DVI & HDMI.

FEATURES:

Ultra small size package
Hot Pluggable
Supports color depth of 6, 8, 10, 12 and 16 bits per color components
Supports a maximum of 8.64 Gbit/s data rate over a 2 meter cable
Can be used in applications up to 15 meters (49.21 feet)

MATING CONNECTORS:

Adam Tech Display Port custom cables and all industry standard Display Port Cables

SPECIFICATIONS:

Material:

Insulator: Nylon 66, Glass filled, rated UL94V-0, color Black
Contacts: Copper Alloy
Shell: Copper Alloy, nickel plated

Contact Plating:

Gold Flash over nickel underplate on mating area, Tin over Copper underplate on tails

Electrical:

Operating Voltage: 40V AC
Current Rating: 0.5 Amps max.
Contact Resistance: 30 m Ω max.
Insulation Resistance: 100 M Ω min.
Dielectric Withstanding Voltage: 500V AC for 1 minute

Mechanical:

Mating Cycles: 10,000 Cycles Min

Temperature Ratings:

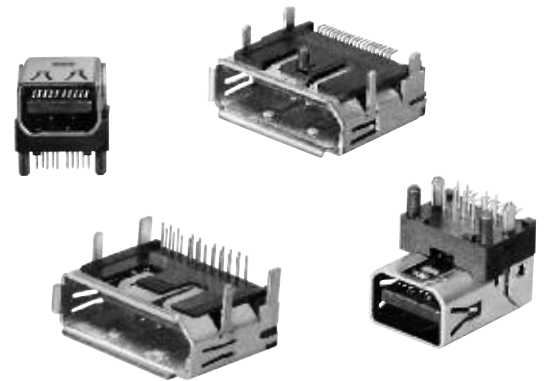
Operating Temperature: -20°C to +85°C

PACKAGING:

Anti-ESD plastic trays or tubes

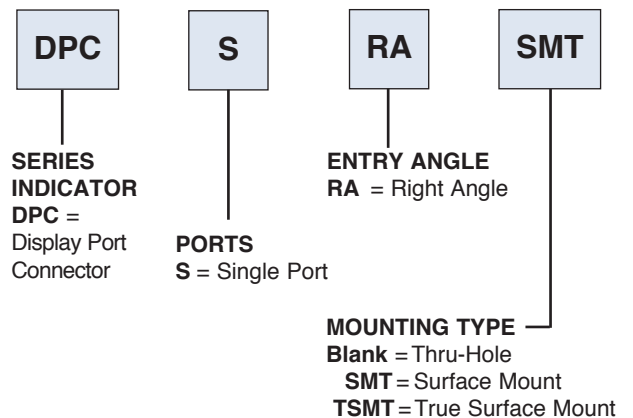
APPROVALS AND CERTIFICATIONS:

UL Recognized & CSA Certified, File no. E224053

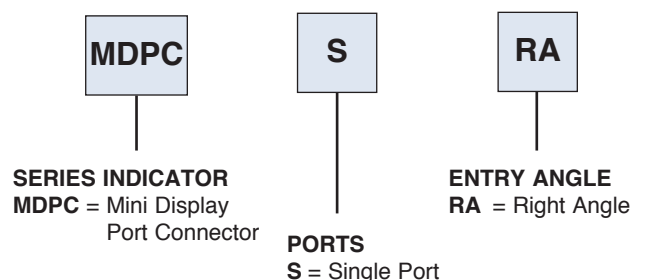


ORDERING INFORMATION

DISPLAY PORT CONNECTOR



MINI DISPLAY PORT CONNECTOR

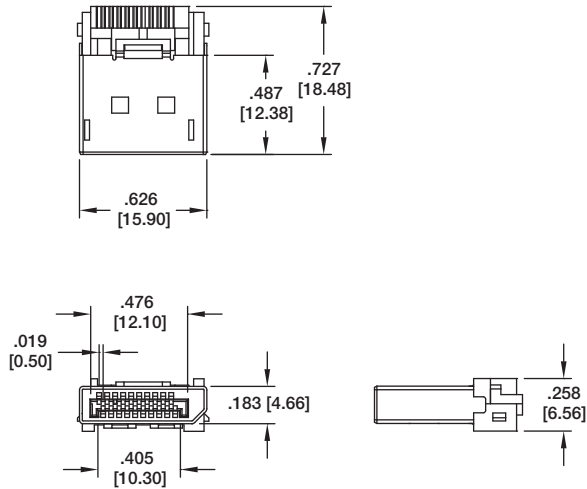


OPTIONS:

Add designator(s) to end of part number
MF = Mounting Flange (DPC series only)

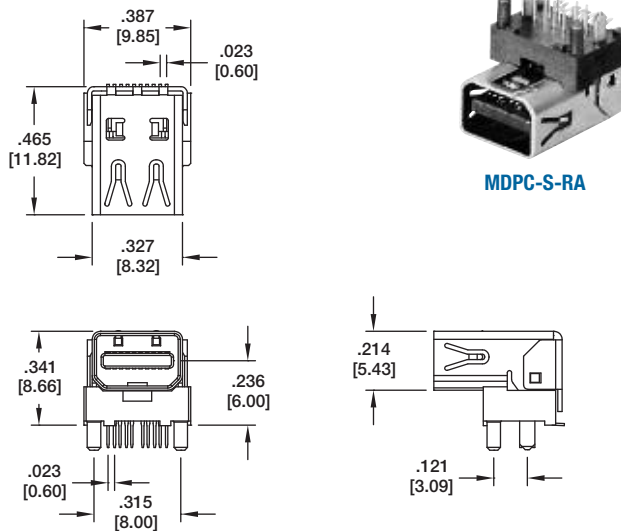
DISPLAY PORT MALE PLUG

MOLDING TYPE

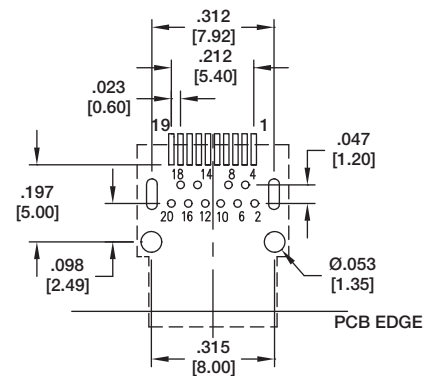


DPC-PLUG

MINI DISPLAY PORT, RIGHT ANGLE

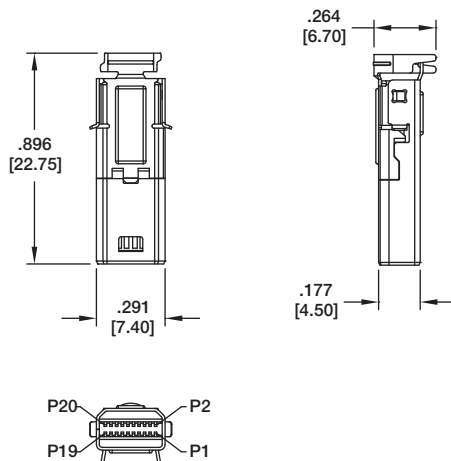


MDPC-S-RA

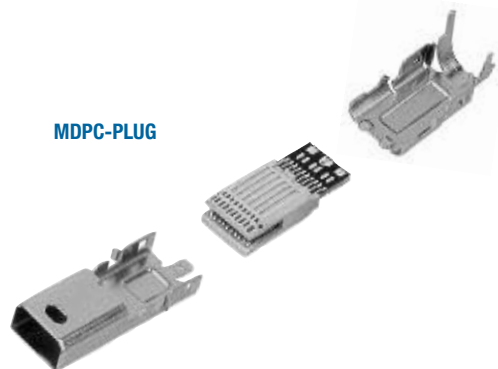


Recommended PCB Layout

MINI DISPLAY PORT, PLUG



MDPC-PLUG



INTRODUCTION

Adam Tech's High Definition Multimedia Interface (HDMI) connectors and cable assemblies are a series of products that provide an uncompressed digital link between video and audio in a single digital interface connection. Typically they are used with digital versatile disc (DVD) players, digital television (DVI) players, set-top boxes and other audiovisual devices to consolidate interfaces and eliminate multiple cable assemblies. Adam Tech's HDMI Series are small, easy to use interconnects that can carry up to 5 Gbps of combined video and audio in a single connector/cable.

FEATURES:

- Sturdy, industry compatible design
- Eliminates multiple connectors and cables
- Up to 5 Gbps in single interface
- Variety of mounting styles
- Fully shielded for ESD protection
- Compact 0.50mm (.019") pitch SMT design

MATING CONNECTORS:

All industry standard HDMI connectors.

SPECIFICATIONS:

MATERIAL:

Insulator: Hi-Temperature thermoplastic, glass filled, rated UL94V-0
Insulator Color: Black
Shell: Phosphor Bronze, Nickel plated
Contacts: Phosphor Bronze

PLATING:

Gold flash over nickel underplate on mating area, tin over copper underplate on tails

ELECTRICAL:

Operating Voltage: 30V AC
Current Rating: 0.5 Amps Max.
Contact Resistance: 10 mΩ Max.
Insulation Resistance: 100 MΩ Min.
Dielectric Withstanding Voltage: 300V AC for 1 Minute

MECHANICAL:

Insertion force: 10.0 lbs max.
Withdrawal force: 2.2 lbs min.

TEMPERATURE RATING:

Operation Temperature: -55°C ~ +85°C

PACKAGING:

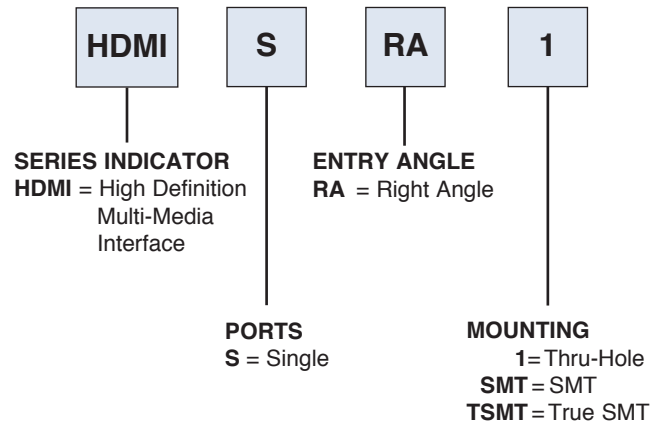
Anti ESD plastic trays or Tubes

APPROVALS AND CERTIFICATIONS:

UL Recognized & CSA Certified, File no. E224053



ORDERING INFORMATION HDMI CONNECTOR



OPTIONS:

Add designator(s) to end of part number
15 = 15 μin gold plating in contact area
MF = Mounting Flange
R = Reverse Layout

