

#### INTRODUCTION:

Adam Tech Solder Cup High Density D-Sub connectors are a popular interface for many I/O applications. Offered in 15, 26, 44, 62 and 78 positions, they are a good choice for a low cost industry standard high density connection. Adam Tech connectors are manufactured with precision stamped contacts offering a choice of contact plating and a wide selection of mating and mounting options.

#### FEATURES:

- High Density pin count in standard size shell
- Industry standard compatibility
- Durable metal shell design
- Precision formed contacts
- Mating and mounting options

#### MATING CONNECTORS:

Adam Tech high density D-Subminiatures and all industry standard high density D-Subminiature connectors.

#### SPECIFICATIONS:

##### Material:

- Insulator: PBT, 30% glass reinforced, rated UL94V-0
- Insulator Colors: Black (White optional)
- Contacts: Phosphor Bronze
- Shell: Steel, Tin or Zinc plated
- Hardware: Brass, Nickel plated

##### Contact Plating:

Gold flash (15 and 30  $\mu$ in optional) over Nickel underplate overall.

##### Electrical:

- Operating voltage: 250V AC / DC max.
- Current rating: 5 Amps max.
- Contact resistance: 20 m $\Omega$  max. initial
- Insulation resistance: 5000 M $\Omega$  min.
- Dielectric withstanding voltage: 1000V AC for 1 minute

##### Mechanical:

- Insertion force: 0.75 lbs max
- Extraction force: 0.44 lbs min

##### Temperature Rating:

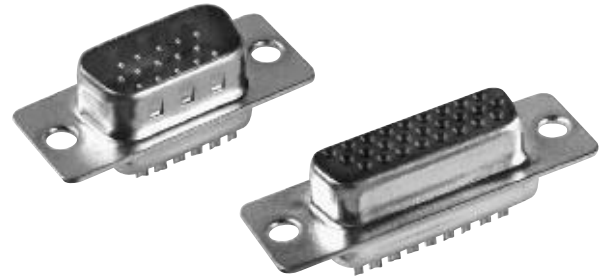
Operating temperature: -55°C to +105°C

#### PACKAGING:

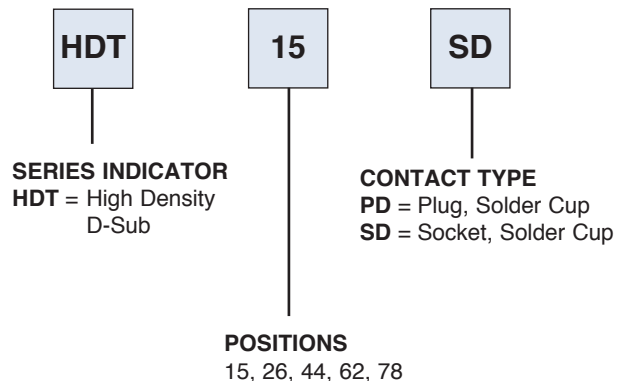
Anti-ESD plastic trays

#### APPROVALS AND CERTIFICATIONS:

UL Recognized & CSA Certified, File no. E224053



#### ORDERING INFORMATION



#### OPTIONS:

Add designator(s) to end of part number

**15** = 15  $\mu$ in gold plating in contact area

**30** = 30  $\mu$ in gold plating in contact area

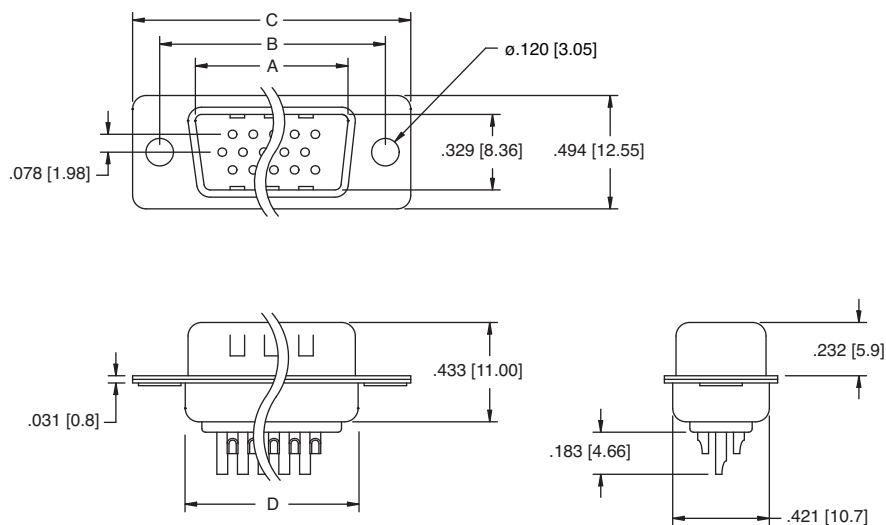
**WT** = White color insulator

**SL** = Bottom side Riveted #4-40 Clinch Nuts

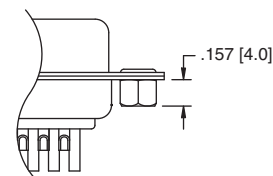
**JS** = Top side riveted #4-40 Jack Screws

**EMI** = Ferrite filtered version for EMI / RFI suppression (Page 114)

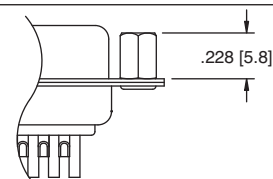
#### PLUG



#### MOUNTING OPTIONS

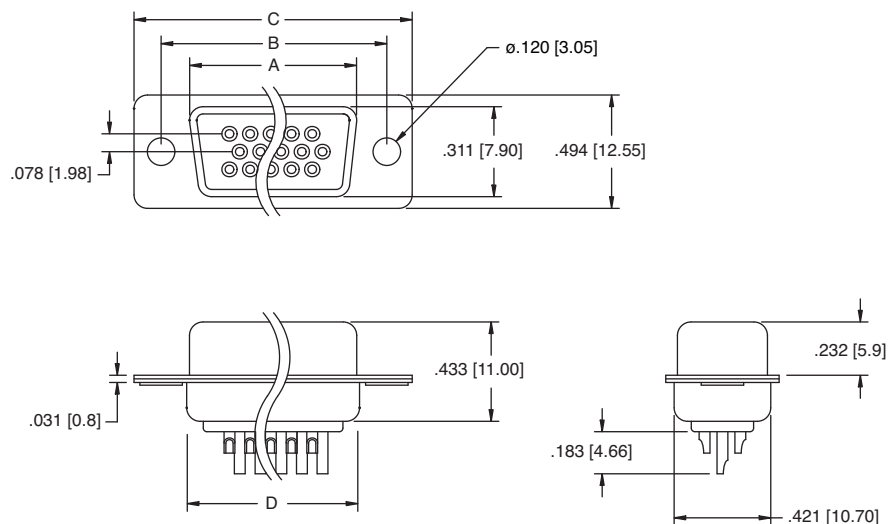


**SL Option**  
Bottom side riveted #4-40  
Clinch Nuts



**JS Option**  
Top side riveted #4-40  
Jack Screws

#### SOCKET



Unit: Inch [mm]

Positions	PLUG	SOCKET	DIMENSIONS		
	A	A	B	C	D
15	.666 [16.92]	.643 [16.33]	.984 [24.99]	1.213 [30.81]	.759 [19.28]
26	.994 [25.25]	.971 [24.66]	1.312 [33.32]	1.541 [39.14]	1.083 [27.51]
44	1.534 [38.96]	1.511 [38.38]	1.852 [47.04]	2.088 [53.04]	1.626 [41.30]
62	2.182 [55.43]	2.159 [54.84]	2.500 [63.50]	2.729 [69.32]	2.271 [57.70]
78	2.079 [52.81]	2.064 [52.43]	2.406 [61.11]	2.635 [66.93]	2.099 [55.32]

#### INTRODUCTION:

Adam Tech Straight PCB tail High Density D-Sub connectors are a popular interface for many I/O applications. Offered in 15, 26, 44, 62 and 78 positions they are a good choice for a low cost industry standard high density connection. Adam Tech connectors are manufactured with precision stamped contacts offering a choice of contact plating and a wide selection of mating and mounting options.

#### FEATURES:

- High Density pin count in standard size shell
- Industry standard compatibility
- Durable metal shell design
- Precision formed contacts
- Variety of Mating and mounting options

#### MATING CONNECTORS:

Adam Tech high density D-Subminiatures and all industry standard high density D-Subminiature connectors.

#### SPECIFICATIONS:

##### Material:

Standard insulator: PBT, 30% glass reinforced, rated UL94V-0  
Optional Hi-Temp insulator: Nylon 6T rated UL94V-0  
Insulator Colors: Black (White optional)  
Contacts: Phosphor Bronze  
Shell: Steel, Tin or Zinc plated  
Hardware: Brass, Nickel plated

##### Contact Plating:

Gold flash (15 and 30  $\mu$ m optional) over Nickel underplate overall.

##### Electrical:

Operating voltage: 250V AC / DC max.  
Current rating: 5 Amps max.  
Contact resistance: 20 m $\Omega$  max. initial  
Insulation resistance: 5000 M $\Omega$  min.  
Dielectric withstanding voltage: 1000V AC for 1 minute

##### Mechanical:

Insertion force: 0.75 lbs max  
Extraction force: 0.44 lbs min

##### Temperature Rating:

Operating temperature: -55°C to +105°C  
Soldering process temperature:  
Standard insulator: 235°C  
Hi-Temp insulator: 260°C

#### PACKAGING:

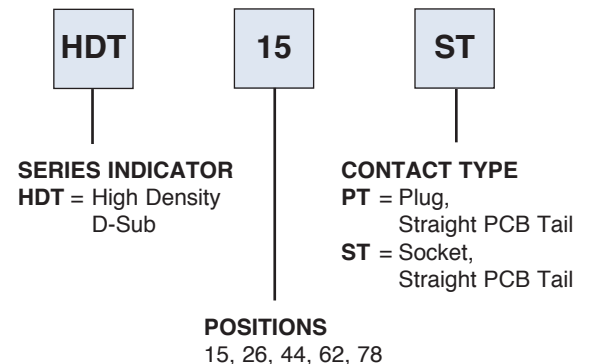
Anti-ESD plastic trays

#### APPROVALS AND CERTIFICATIONS:

UL Recognized & CSA Certified, File no. E224053



#### ORDERING INFORMATION



#### OPTIONS:

Add designator(s) to end of part number

**WT** = White color insulator  
**HT** = Hi-Temp insulator for Hi-Temp soldering processes up to 260°C

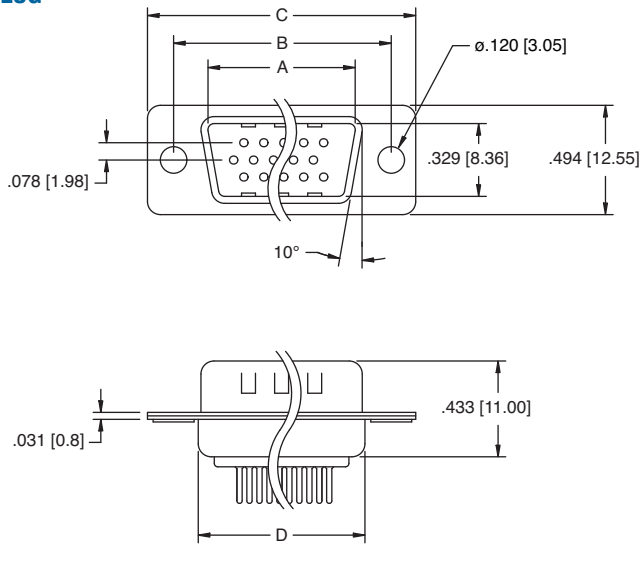
**SL** = Riveted #4-40 Clinch Nuts

**JS** = Riveted #4-40 Jackscrews

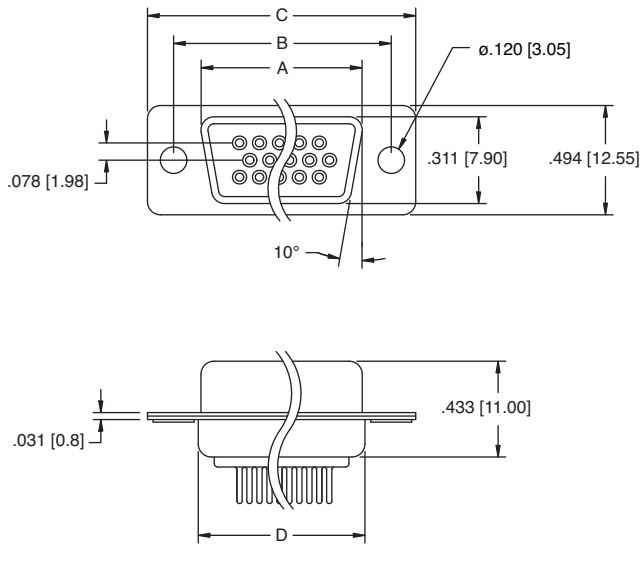
**BL** = Riveted #4-40 Internal Threaded Standoffs with Boardlocks

**EMI** = Ferrite filtered version for EMI / RFI suppression (Page 114)

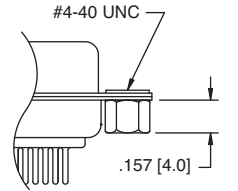
### PLUG



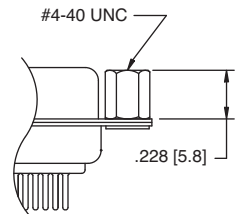
### SOCKET



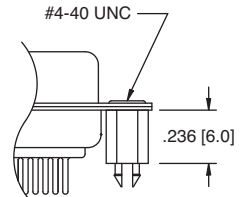
### MOUNTING OPTIONS



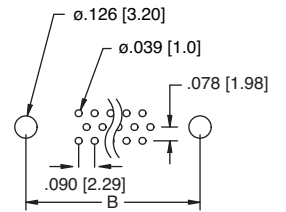
**SL Option**  
Bottom side riveted #4-40 Clinch Nuts



**JS Option**  
Top side riveted #4-40 Jack Screws



**BL Option**  
Bottom side riveted #4-40 Clinch Nuts with PCB Boardlocks



**Recommended PCB Layout**

Unit: Inch [mm]

Positions	PLUG	SOCKET	DIMENSIONS		
	A	A	B	C	D
15	.666 [16.92]	.643 [16.33]	.984 [24.99]	1.213 [30.81]	.759 [19.28]
26	.994 [25.25]	.971 [24.66]	1.312 [33.32]	1.541 [39.14]	1.083 [27.51]
44	1.534 [38.96]	1.511 [38.38]	1.852 [47.04]	2.088 [53.04]	1.626 [41.30]
62	2.182 [55.43]	2.159 [54.84]	2.500 [63.50]	2.729 [69.32]	2.271 [57.70]
78	2.079 [52.81]	2.064 [52.43]	2.406 [61.11]	2.635 [66.93]	2.099 [55.32]

#### INTRODUCTION:

Adam Tech Right Angle PCB mount High Density D-Sub connectors are a popular interface for many I/O applications. Offered in 15, 26, 44, 62 and 78 positions they are a good choice for a low cost industry standard high density connection. Adam Tech connectors are manufactured with precision stamped contacts offering a choice of contact plating and a wide selection of mating and mounting options.

#### FEATURES:

- High Density in standard size shell
- Industry standard compatibility
- Durable metal shell design
- Precision formed contacts
- Variety of Mating and mounting options

#### MATING CONNECTORS:

Adam Tech high density D-Subminiatures and all industry standard high density D-Subminiature connectors.

#### SPECIFICATIONS:

##### Material:

Standard insulator: PBT, 30% glass reinforced, rated UL94V-0  
Optional Hi-Temp insulator: Nylon 6T rated UL94V-0  
Insulator Colors: HDL Series: Black  
HDVG Series: Blue

Contacts: Phosphor Bronze  
Shell: Steel, Tin or Zinc plated  
Hardware: Brass, Nickel plated

##### Contact Plating:

Gold flash (15 and 30  $\mu$ in optional) over Nickel underplate overall.

##### Electrical:

Operating voltage: 250V AC / DC max.  
Current rating: 5 Amps max.  
Contact resistance: 20 m $\Omega$  max initial  
Insulation resistance: 5000 M $\Omega$  min.  
Dielectric withstanding voltage: 1000V AC for 1 minute

##### Mechanical:

Insertion force: 0.75 lbs max  
Extraction force: 0.44 lbs min

##### Temperature Rating:

Operating temperature: -55°C to +105°C  
Soldering process temperature:  
Standard insulator: 235°C  
Hi-Temp insulator: 260°C

##### PACKAGING:

Anti-ESD plastic trays

##### APPROVALS AND CERTIFICATIONS:

UL Recognized & CSA Certified, File no. E224053



#### ORDERING INFORMATION



##### SERIES INDICATOR

**HDL** = High Density D-Sub  
**HDVG** = High Density VESA connector with recessed #9 pin and blue insulator

##### POSITIONS

15, 26, 44, 62, 78

##### MOUNT OPTIONS

**A** = #4-40 Jackscrews and forked boardlocks  
**B** = #4-40 Flush threaded inserts and forked boardlocks  
**C** = #4-40 Flush threaded inserts with removable jackscrews and forked boardlocks  
**D** = Topside ground straps with screw holes

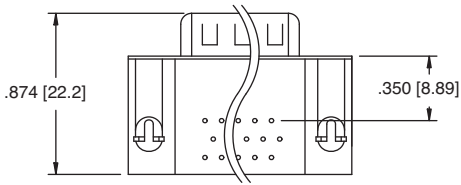
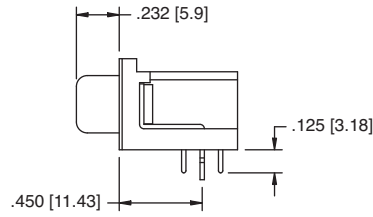
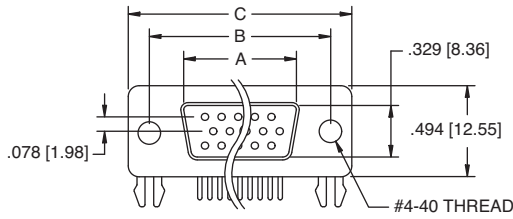
##### CONTACT TYPE

**PL** = Plug, Right Angle Mount  
**SL** = Socket, Right Angle Mount

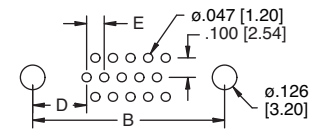
##### OPTIONS:

Add designator(s) to end of part number  
**15** = 15  $\mu$ in gold plating in contact area  
**30** = 30  $\mu$ in gold plating in contact area  
**EMI** = Ferrite filtered version for EMI / RFI suppression (Page 114)  
**F** = Retention 4 prong boardlocks  
**HT** = Hi-Temp insulator for Hi-Temp soldering processes up to 260°C  
**R** = Round Riveted Jackscrews

### PLUG

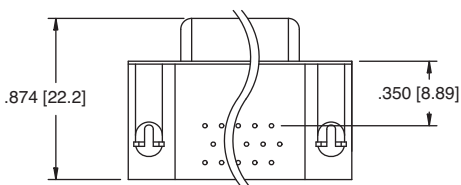
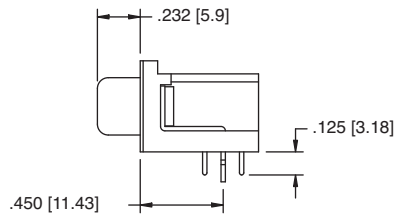
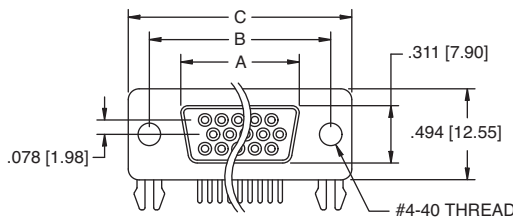


**HDL15-PL-B**

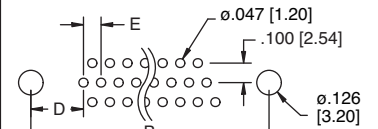


**15 Position PCB Layout**

### SOCKET

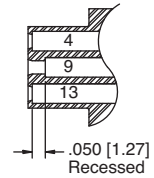


**HDL15-SL-B**



**26, 44, 62 Position PCB Layout**

### Hi Density Video Graphics Connector



**HDVGV-15-SL-B**

Unit: Inch [mm]

Positions	PLUG	SOCKET	DIMENSIONS			
	A	A	B	C	D	E
15	.666 [16.92]	.643 [16.33]	.984 [24.99]	1.213 [30.81]	.277 [7.04]	.090 [2.29]
26	.994 [25.25]	.971 [24.66]	1.312 [33.32]	1.541 [39.14]	.277 [7.04]	.090 [2.29]
44	1.534 [38.96]	1.511 [38.38]	1.852 [47.04]	2.088 [53.04]	.277 [7.04]	.090 [2.29]
62	2.182 [55.43]	2.159 [54.84]	2.500 [63.50]	2.729 [69.32]	.276 [7.00]	.095 [2.41]
78	2.079 [52.81]	2.064 [52.43]	2.406 [61.11]	2.635 [66.93]	.300 [7.63]	.095 [2.41]

#### INTRODUCTION:

Adam Tech Crimp and Poke High Density D-Sub connectors are a popular interface for many I/O applications. Offered in 15, 26, 44, 62 and 78 positions they are a low cost alternative to soldering a high density connector to cable. Contacts are crimped onto discrete wires and pushed into the connector body. The connector is comprised of a metal shell and plastic insulator and is available with a variety of mating options. The contacts are precision stamped and are available in a variety of platings.

#### FEATURES:

- High Density in standard size shell
- Low cost no solder alternative
- Industry standard compatibility
- Durable metal shell design
- Precision formed contacts
- Variety of Mating and mounting options

#### MATING CONNECTORS:

Adam Tech high density D-Subminiatures and all industry standard high density D-Subminiature connectors.

#### SPECIFICATIONS:

##### Material:

- Insulator: PBT, 30% glass reinforced, rated UL94V-0
- Insulator Colors: Black (White optional)
- Contacts: Phosphor Bronze
- Shell: Steel, Tin or Zinc plated
- Hardware: Brass, Nickel plated

##### Contact Plating:

Gold flash (15 and 30  $\mu$ in optional) over Nickel underplate overall.

##### Electrical:

- Operating voltage: 250V AC / DC max.
- Current rating: 5 Amps max.
- Contact resistance: 20 m $\Omega$  max. initial
- Insulation resistance: 5000 M $\Omega$  min.
- Dielectric withstanding voltage: 1000V AC for 1 minute

##### Mechanical:

- Insertion force: 0.75 lbs max
- Extraction force: 0.44 lbs min
- Recommended wire size: 22 to 28 Awg

##### Temperature Rating:

Operating temperature: -55°C to +105°C

#### PACKAGING:

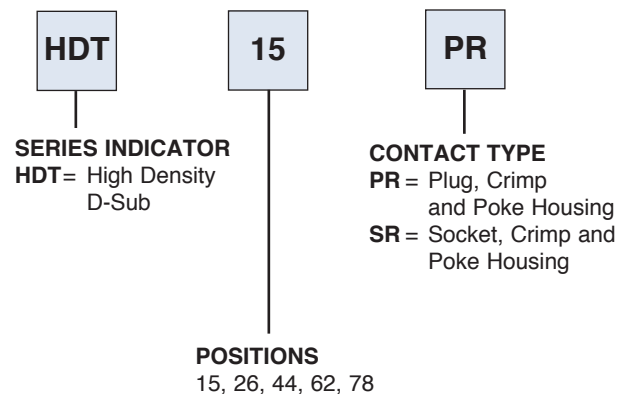
Anti-ESD plastic trays

#### APPROVALS AND CERTIFICATIONS:

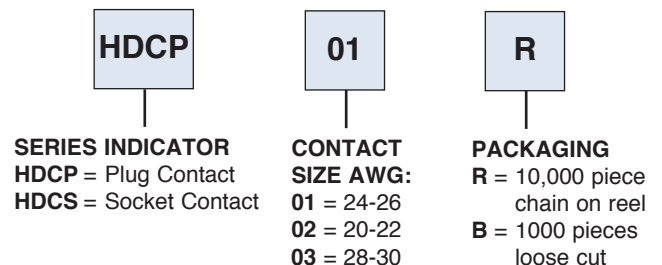
UL Recognized & CSA Certified, File no. E224053



#### ORDERING INFORMATION HOUSING



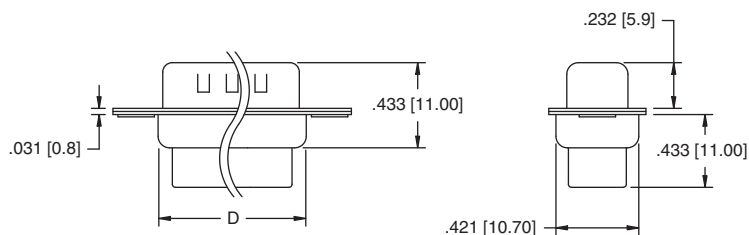
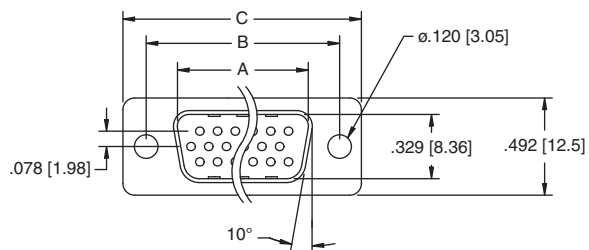
#### CRIMP CONTACT



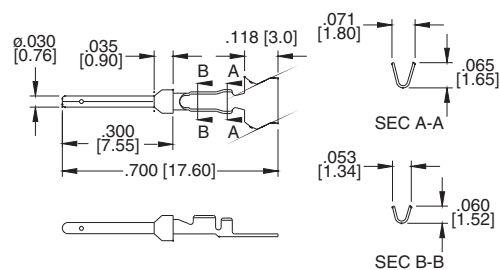
#### OPTIONS:

- Add designator(s) to end of part number
- 15 = 15  $\mu$ in gold plating in contact area
- 30 = 30  $\mu$ in gold plating in contact area
- WT = White color insulator.
- SL = Riveted #4-40 Clinch Nuts
- JS = Riveted #4-40 Jackscrews

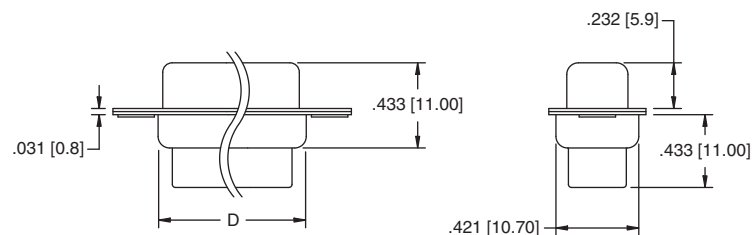
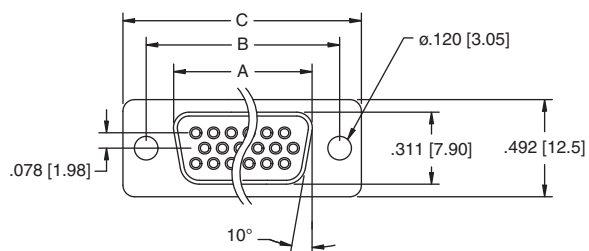
### PLUG



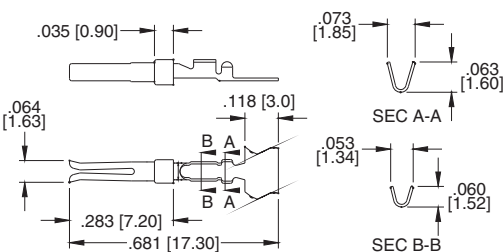
### Plug Contact



### SOCKET



### Socket Contact



Unit: Inch [mm]

Positions	PLUG	SOCKET	DIMENSIONS		
	A	A	B	C	D
15	.666 [16.92]	.643 [16.33]	.984 [24.99]	1.213 [30.81]	.759 [19.28]
26	.994 [25.25]	.971 [24.66]	1.312 [33.32]	1.541 [39.14]	1.083 [27.51]
44	1.534 [38.96]	1.511 [38.38]	1.852 [47.04]	2.088 [53.04]	1.626 [41.30]
62	2.182 [55.43]	2.159 [54.84]	2.500 [63.50]	2.729 [69.32]	2.271 [57.70]
78	2.079 [52.81]	2.064 [52.43]	2.406 [61.11]	2.635 [66.93]	2.099 [53.32]