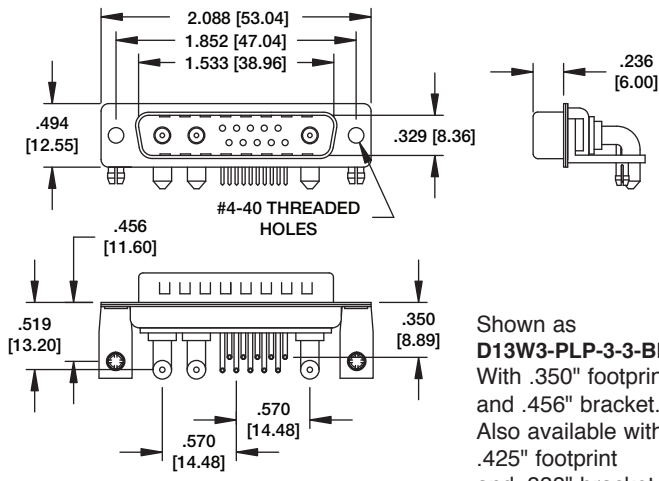
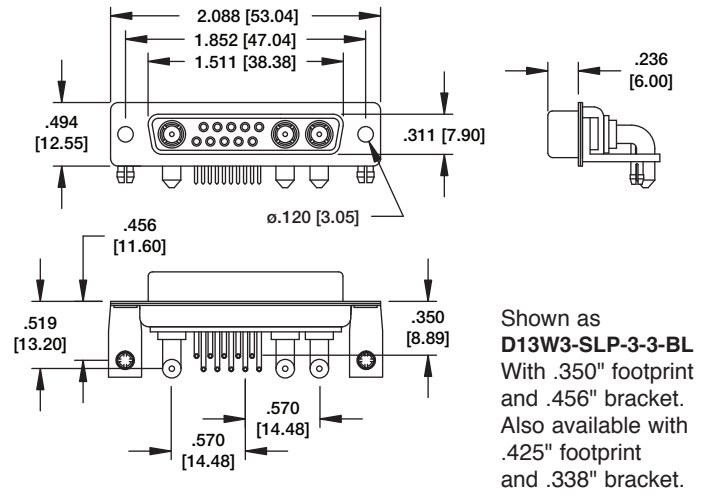


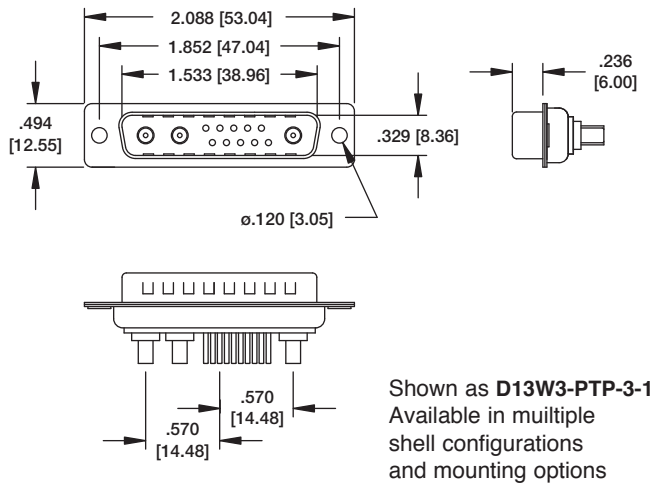
PLUG - RIGHT ANGLE PCB MOUNT SIGNAL-POWER



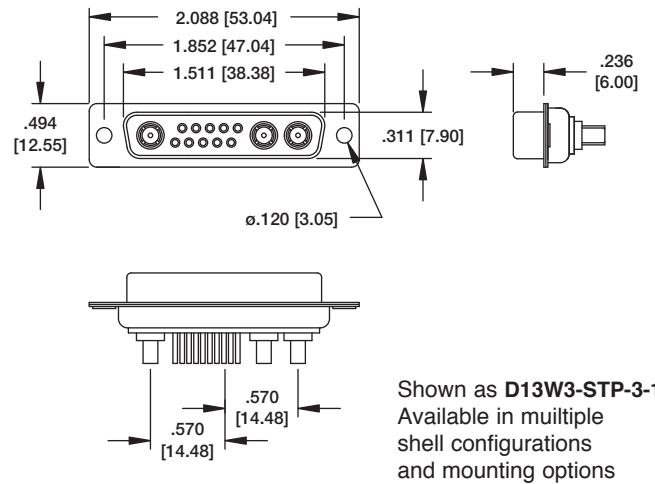
SOCKET - RIGHT ANGLE PCB MOUNT SIGNAL-POWER



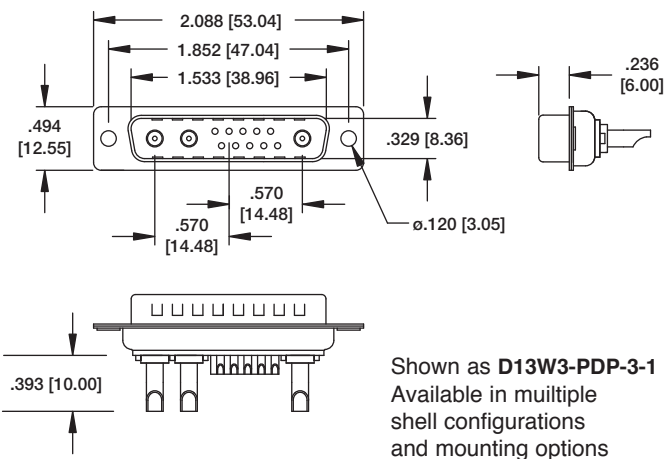
PLUG - STRAIGHT PCB MOUNT SIGNAL-POWER



SOCKET - STRAIGHT PCB MOUNT SIGNAL-POWER



PLUG - STRAIGHT SOLDER CUP SIGNAL-POWER



SOCKET - STRAIGHT SOLDER CUP SIGNAL-POWER

