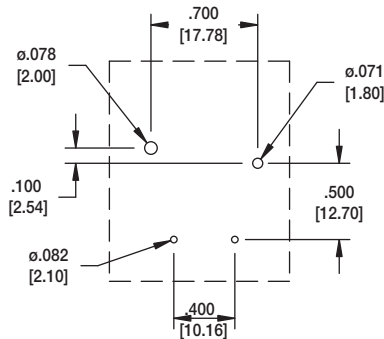


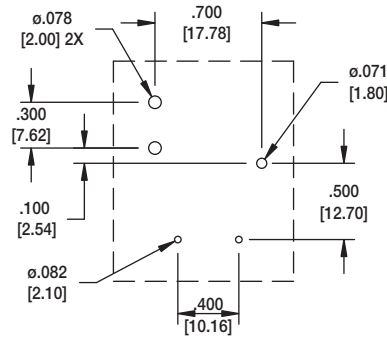
RPL SERIES (TOP CONTACTS)



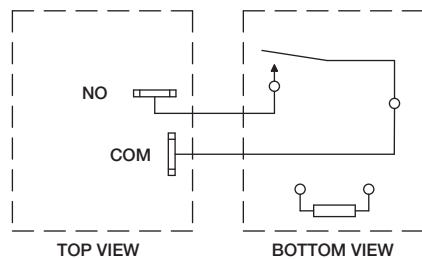
RPL-1C-TCN-12



Recommended PCB Layout  
1 Form A



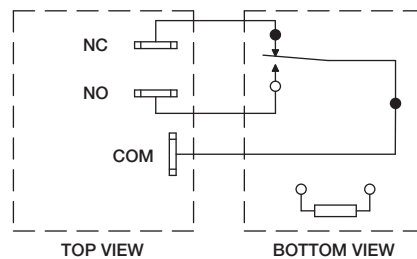
Recommended PCB Layout  
1 Form C



TOP VIEW

BOTTOM VIEW

Schematic  
1 Form A



TOP VIEW

BOTTOM VIEW

Schematic  
1 Form C

Nominal Voltage V DC	Pick-up Voltage V DC (max.)	Drop-out Voltage V DC (min.)	Coil Resistance (±10%)	Nominal Operating Power mW	Max allowable Voltage V DC
5	3.75	0.5	31	900	6
6	4.5	0.6	40	900	6.6
9	6.75	0.9	101	900	10.8
12	9	1.2	160	900	13.2
24	18	2.4	640	900	26.4
48	36	4.8	2,560	900	52.8