

**INTRODUCTION:**

Adam Tech RG2 Relays are small general purpose relays available in eight different contact formats with either AC or DC coils and are available with PCB or Solder terminals. These relays are ideal for applications such as industrial control equipment, office machines, and medical equipment

**FEATURES:**

Contact ratings up to 7 amps  
AC and DC coils available  
PCB & Solder Plug-in terminals

**SPECIFICATIONS:**

**ELECTRICAL:**

Contact arrangement: 1 to 4 Pole, Form A & C  
Contact material: Silver Alloy  
Contact Rating (Resistive load):  
1, 2 & 3 Pole: 7A @ 250V AC  
7A @ 30V DC  
4 Pole: 5A @ 250V AC  
5A @ 30V DC  
Max. Switching Voltage: 250V AC / 30V DC  
Max. Switching Power: 1540VA, 210W  
Contact resistance: 100 mΩ max. Initial  
Insulation resistance: 1000 MΩ min. @ 500V DC  
Dielectric withstanding voltage:  
Between Coil & Contact: 1500V AC 50/60Hz for 1 min.  
Between Contacts: 1000V AC 50/60Hz for 1 min.  
Operating time: 25 ms max.  
Release time: 25 ms max.  
Electrical Life: 100,000 Operations (at rated load)

**MECHANICAL:**

Vibration resistance (Endurance): 1.0mm Double Amplitude 10-55Hz  
Shock resistance: 10G min.  
Mechanical Life: 10,000,000 Operations (no load)

**TEMPERATURE RATING:**

Ambient temperature: -45°C to +85°C

**PACKAGING:**

Anti-ESD plastic trays

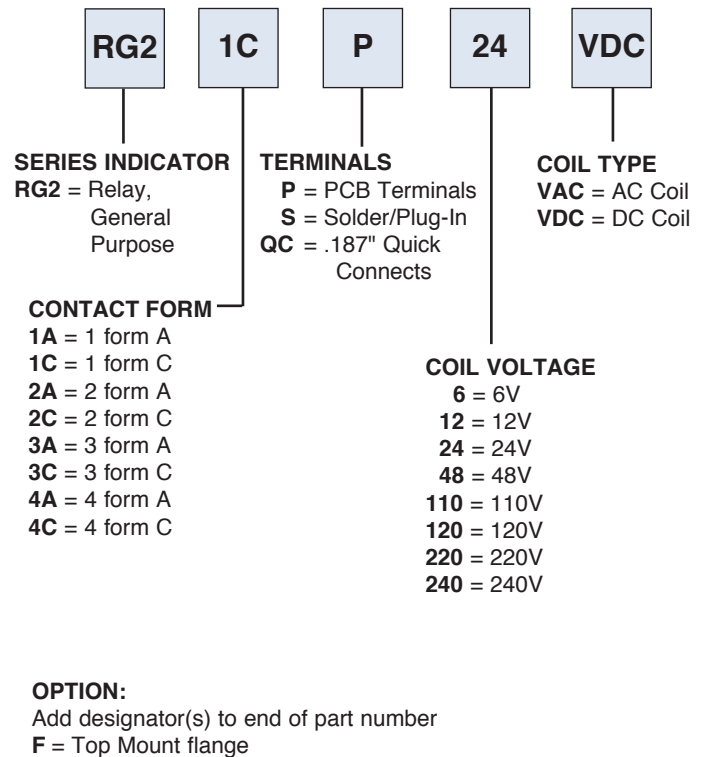
**SAFETY AGENCY APPROVALS:**

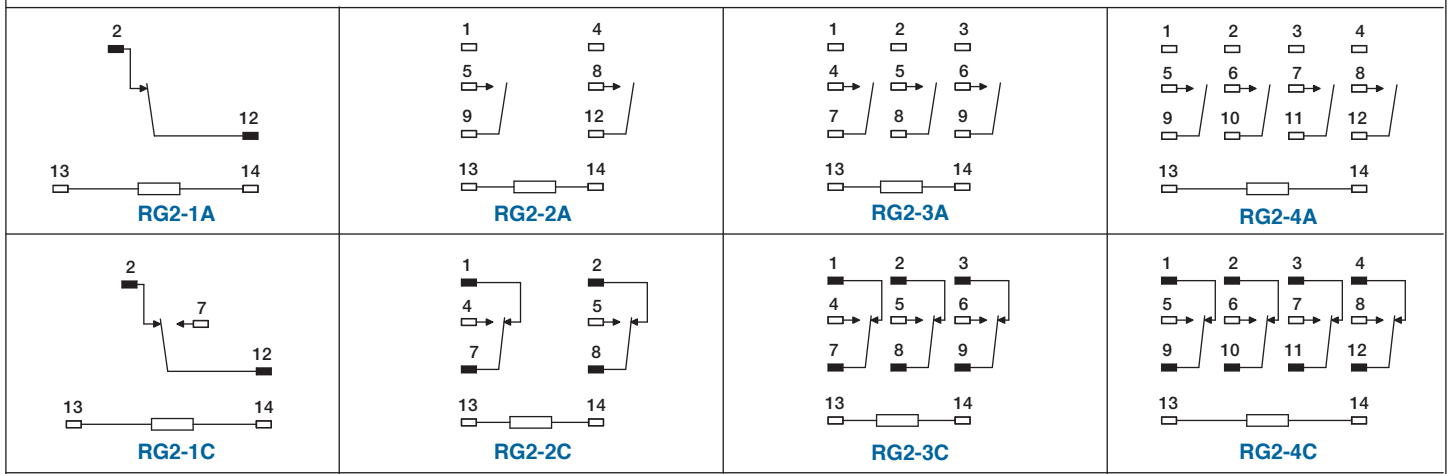
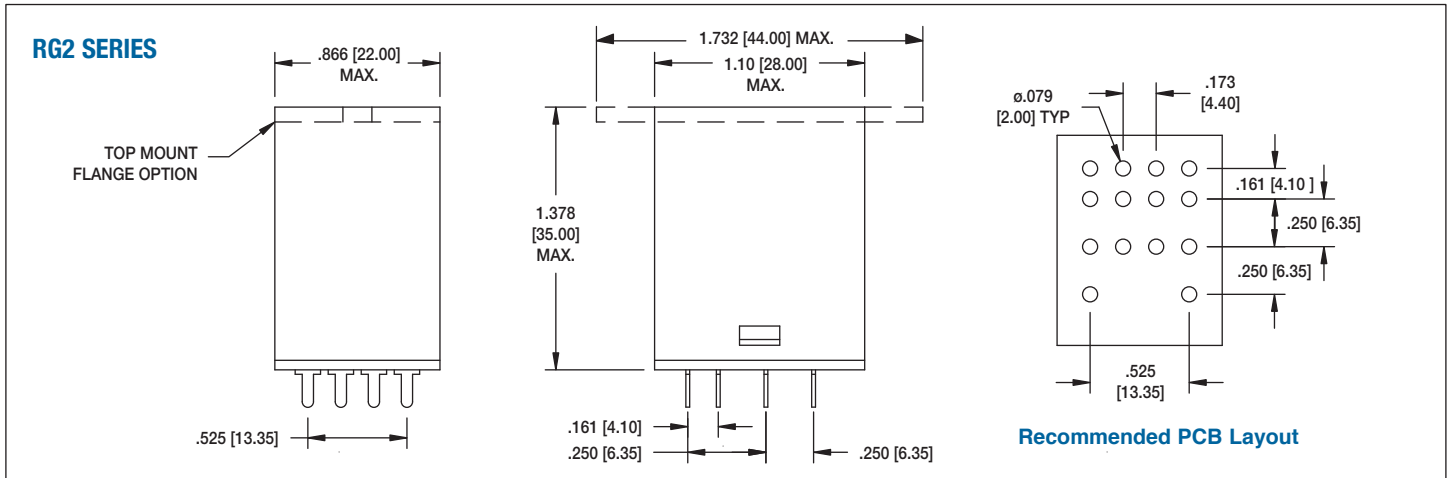
UL Recognized & CSA Certified, File no. E305638



RG2-2C-S-24VDC

**ORDERING INFORMATION**  
GENERAL PURPOSE RELAY





**DC Types @ 20C**

Nominal Voltage V DC	Pick-up Voltage V DC (max.)	Drop-out Voltage V DC (min.)	Nominal Operating Current mA (±10%)	Coil Resistance (±10%)	Operating Power W		Max allowable Voltage V DC
					Nominal	Minimum	
6	4.8	0.6	150	40	0.9	0.58	6.6
12	9.6	1.2	75	160	0.9	0.58	13.2
24	19.2	2.4	37	640	0.9	0.58	26.4
48	38.4	4.8	19	2560	0.9	0.58	52.8
110/120	88	11	8.2	13,400	1.0	0.64	132

**AC Types (50/60 Hz) @ 60 Hz, 20C**

Nominal Voltage V AC	Pick-up Voltage V DC (max.)	Drop-out Voltage V DC (min.)	Nominal Operating Current mA (±10%)	Coil Resistance (±10%)	Operating Power VA	Max allowable Voltage V DC
6	4.8	1.2	200	10	Nominal 1.20  Minimum 0.77	6.6
12	9.6	2.4	100	40		13.2
24	19.2	4.8	60	160		26.4
48	38.4	9.6	30	650		52.8
110/120	96	22	13.5 / 14.5	3400		132
220/240	176	44	6.0 / 6.5	1360		264