

INTRODUCTION:

Adam Tech MTJP Series Wire Leaded Handset and Panel Jacks are conveniently prepared with wire leads ready for final assembly. This series has a multitude of housing shapes to fit many specific applications. They are offered in 4, 6 & 8 positions with choice of Stripped and Tinned leads or leads with Spade Terminals, Adam Tech Jacks are UL and CSA approved and meet all required FCC rules and regulations.

FEATURES:

- UL & CSA approved
- FCC compliant to No. 47 CFR part 68
- Prepared for Final Assembly
- 4P, 6P and 8P versions
- Custom Jacks available

MATING PLUGS:

All industry standard line cords manufactured with telephone plugs

SPECIFICATIONS:

Material:

- Insulator: ABS, (Nylon 66 optional), rated UL94V-0
- Insulator Colors: Medium gray or black
- Contacts: Phosphor Bronze
- Wires: 26 Awg, UL-1061, 80°C, VW-1, 300V.

Contact Plating:

Gold over Nickel underplate on contact area.

Electrical:

- Operating voltage: 150V AC max.
- Current rating: 1.5 Amps max.
- Contact resistance: 20 mΩ max. initial
- Insulation resistance: 500 MΩ min.
- Dielectric withstanding voltage: 500V AC for 1 minute

Mechanical:

- Insertion force: 4 Contacts: 500g, 6 contacts 750g
- 8 contacts: 900g, 10 contacts: 1000g
- Durability: 500 Cycles min.

Temperature Rating:

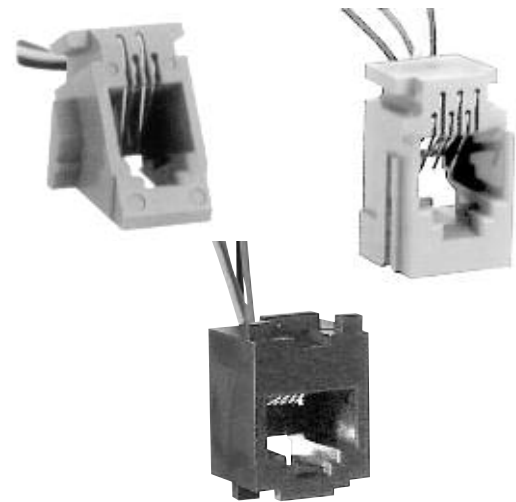
Operating temperature: -40°C to +85°C

PACKAGING:

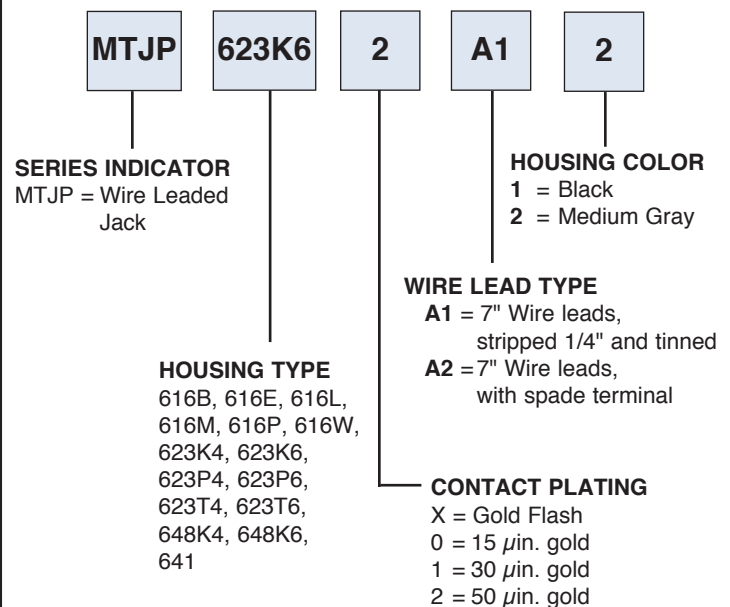
Anti-ESD plastic bags

APPROVALS AND CERTIFICATIONS:

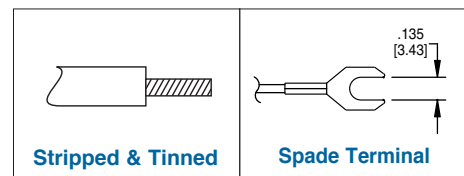
UL Recognized & CSA Certified, File no. E224049



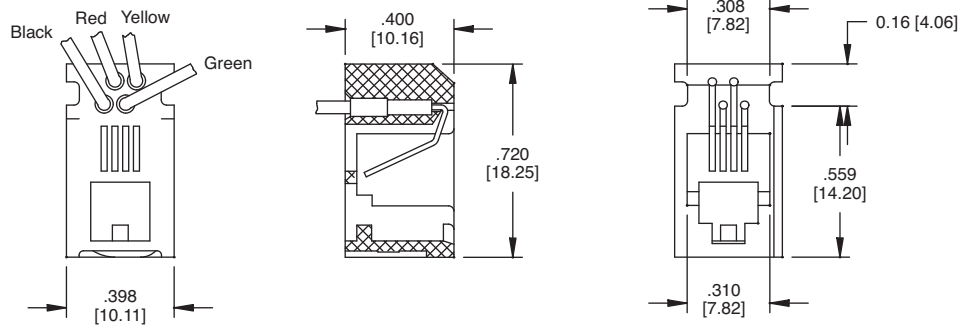
**ORDERING INFORMATION
WIRE LEADED JACKS**



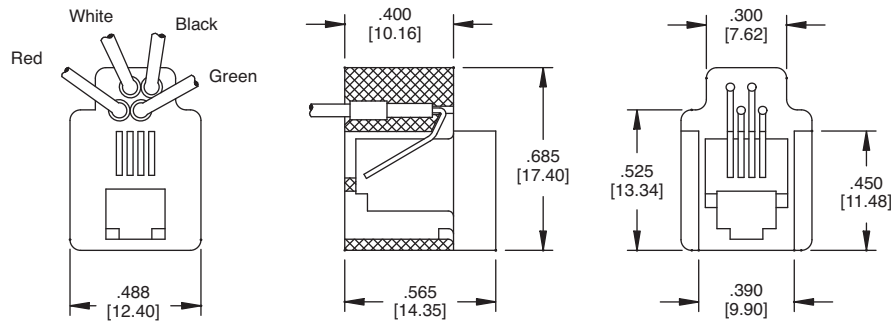
Wire Lead Options



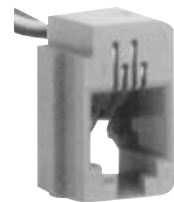
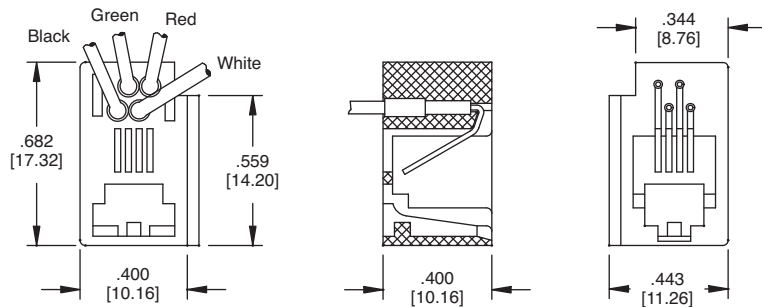
MTJP-616L



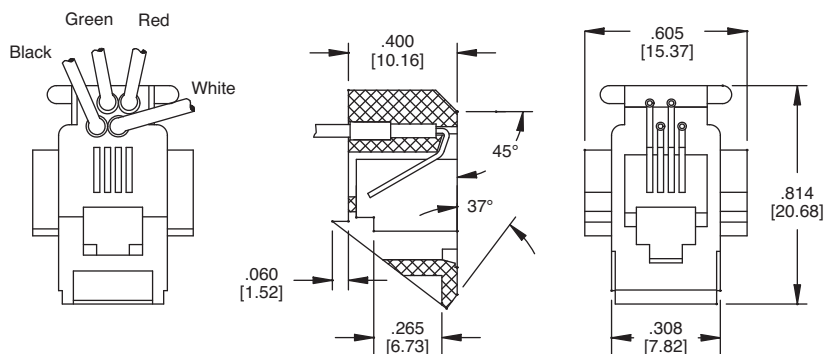
MTJP-616M



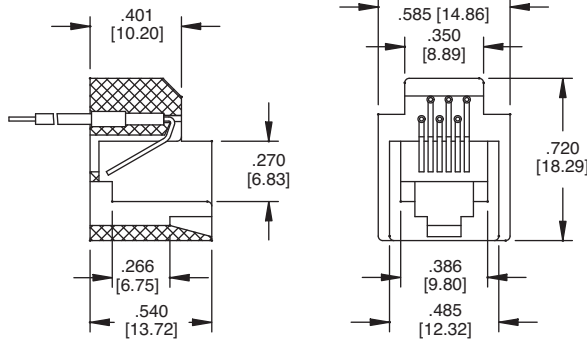
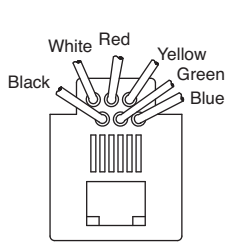
MTJP-616E



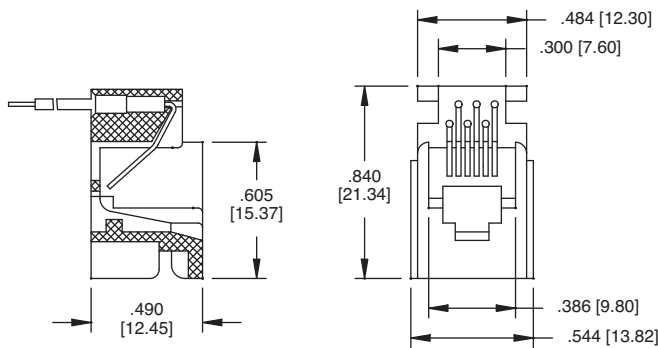
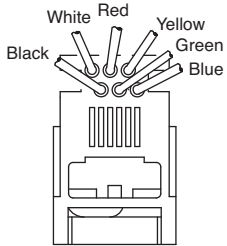
MTJP-616W



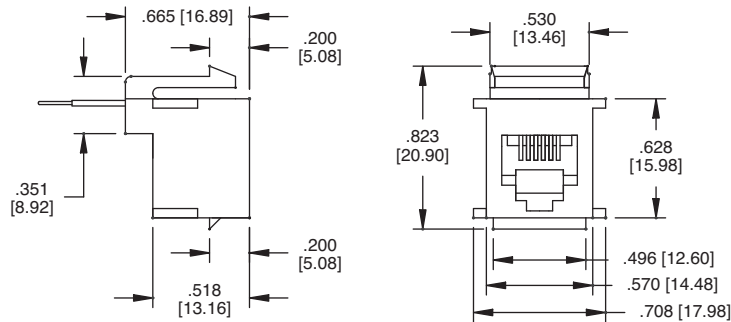
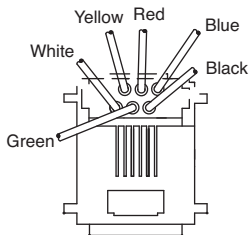
MTJP-623K4
MTJP-623K6



MTJP-623P4
MTJP-623P6



MTJP-648K4
MTJP-648K6



MTJP-641
MTJP-641

