

LED 1 OPTION **LED 2 OPTION**

SHIELD

Dimensions: .649 [16.50], .531 [13.50], .620 [15.75], .135 [3.43], .212 [5.40], .103 [2.62], .540 [13.72], .360 [9.14], .281 [7.14], .040 [1.02], .070 [1.78], .135 [3.43], .500 [12.70], .360 [9.14], .639 [16.25]

TYPE AR
LED JACK .531" HEIGHT
TOP TAB & TOP LEDs, THRU HOLE
RPRC

MTJ-88ARX1-FS-LG
Also available with panel ground tabs

LED 1 OPTION **LED 2 OPTION**

SHIELD

Dimensions: .649 [16.50], .445 [11.30], .055 [1.41], .452 [11.48], .063 [1.60], .630 [16.00], .594 [15.10], .531 [13.50], .441 [11.20], .086 [2.20], .063 [1.60], .177 [4.50], .171 [4.35], .552 [14.02], .452 [11.48], .070 [1.78], .057 [1.45], .352 [8.94], .142 [3.60], .171 [4.35], .281 [7.14], .031 [0.80], .630 [16.00]

TYPE AA
LED JACK BOTTOM TAB &
BOTTOM LEDTHRU HOLE
8P8C

MTJ-88AAX1-FS-LG-PG

LED 1 OPTION **LED 2 OPTION**

SHIELD

Dimensions: .720 [18.30], .620 [15.75], .505 [12.83], .610 [15.50], .195 [4.95], .085 [2.16], .135 [3.43], .230 [5.84], .540 [13.72], .020 [0.51], .090 [2.29], .035 [0.90], .100 [2.54], .12 PLCS, .035 [0.90], .100 [2.54], .230 [5.84], .040 [1.02], .281 [7.14], .500 [12.70], .128 [3.25]

TYPE D
TOP ENTRY LED JACK .610" HEIGHT WITH LEDs, NON-SHIELDED
8P8C

MTJ-88DX1-LG

Add suffix to end of P/N:

LED CONFIGURATION		
SUFFIX	LED 1	LED 2
LA	YELLOW	YELLOW
LD	GREEN	GREEN

Recommended PCB Layout

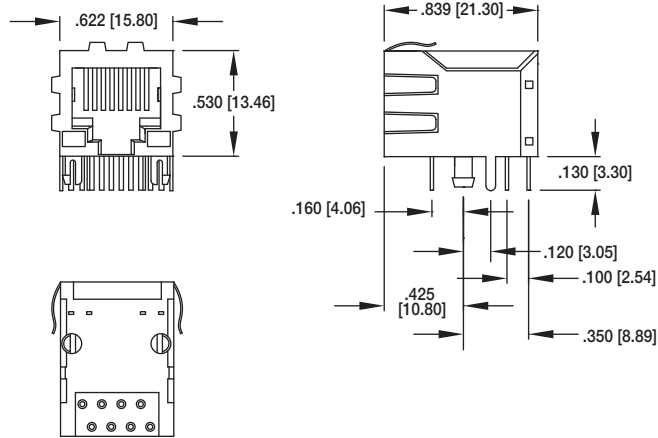
JACKS WITH LEDs ORDERING INFORMATION

MTJ	8	8	AR	2	1	LD
SERIES INDICATOR MTJ = Modular telephone jack	HOUSING PLUG SIZE 8 or 10	NO. OF CONTACT POSITIONS FILLED 6, 8 or 10	HOUSING TYPE AR, AA, D, G	PLATING X = Gold Flash 0 = 15 μin gold 1 = 30 μin gold 2 = 50 μin gold	BODY COLOR 1 = Black 2 = Gray	LED Configuration See Chart above Leave blank for no LEDs

OPTIONS:
SMT = Surface mount tails with Hi-Temp insulator
PG = Panel Ground Tabs
LX = LED's, use LA, LD, LG, LH, LI, see LED Configuration Chart

Ordering Information pg. 29

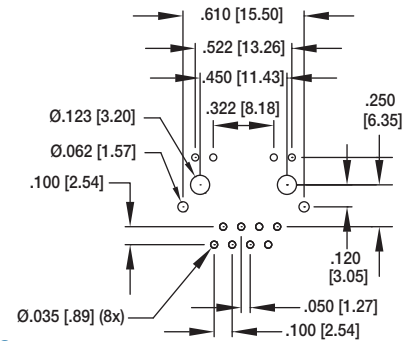
**TYPE G
WITH LED's**



MTJ-88GX1-FSD-LH

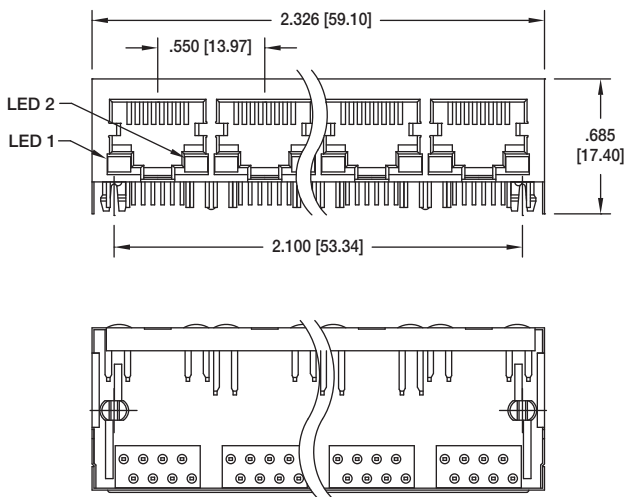


MTJ-88GX1-FSD-LH-PG

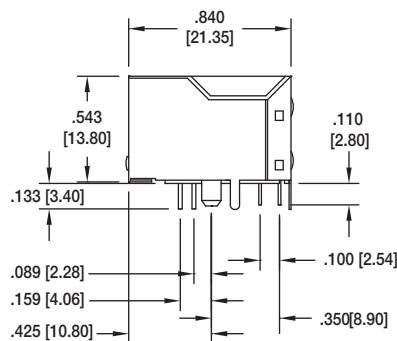


Recommended PCB Layout

**TYPE G GANGED
WITH LED's**



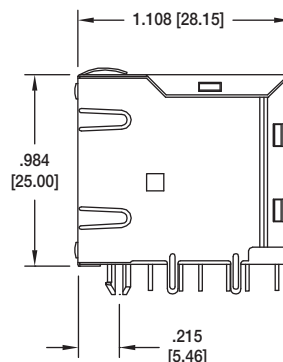
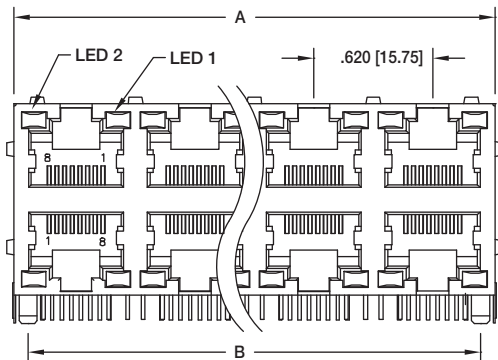
2, 4 & 6 PORTS AVAILABLE



MTJG-4-88GX1-FSD-PG-LG

Ordering Information pg. 34

**TYPE J STACKED
WITH LED's**



PART NUMBER	PORTS	DIMENSIONS	
		A	B
MTJG-2-88JX1-FSM-LXX	2 X 1	.650 [16.51]	.500 [12.70]
MTJG-4-88JX1-FSM-LXX	2 X 2	1.265 [32.15]	1.120 [28.45]
MTJG-8-88JX1-FSM-LXX	2 X 4	2.50 [63.65]	2.360 [59.95]
MTJG-12-88JX1-FSM-LXX	2 X 6	3.74 [95.15]	3.600 [91.45]