

INTRODUCTION:

Adam Tech .050" IDC Sockets and Transition Plugs are low profile, precision designed flat cable connectors that feature either .050" x .100" centerlines or .050" x .050" centerlines. These series quickly and easily mass terminate flat cable in one simple step. Our superior contact design provides a smooth, high pressure wiping action to ensure excellent continuity. They are used with a single layer of .025" flat cable. Their small size, light weight and high density make them ideal for compact and limited space applications.

FEATURES:

- .050" x .050" or .050" x .100"
- Low Profile and High Density
- Uses Single layer .025" Flat Cable
- Quickly and easily mass terminates standard Flat Cable
- Smooth High Pressure Wiping Contacts

MATING CONNECTORS:

Adam Tech .050" HBHR series box headers, latch headers or HPH2 series pin headers

SPECIFICATIONS:

Material:

Insulator: PBT, glass reinforced, rated UL94V-0
 Insulator Color: Black
 Contacts: Phosphor Bronze

Contact Plating:

Tin over copper underplate overall

Electrical:

Operating voltage: 250V AC max.
 Current rating: 1 Amp max.
 Contact resistance: 20 mΩ max. Initial
 Insulation resistance: 5000 MΩ min.
 Dielectric withstanding voltage: 1000V AC for 1 minute

Mechanical:

Insertion force: 0.312 lbs per contact max.
 Withdrawal force: 0.094 lbs per contact min.
 Recommended wire size: 28 Awg stranded
 Cable retention: 22 lbs. min axial force per inch.
 Mating durability: 500 cycles min.

Temperature Rating:

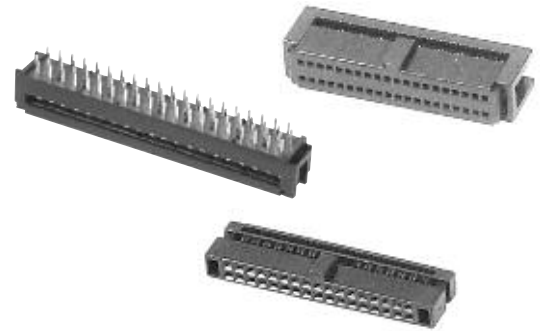
Operating temperature: -40°C to +105°C

PACKAGING:

Anti-ESD plastic trays

SAFETY AGENCY APPROVALS:

UL Recognized & CSA Certified, File no. E224053



ORDERING INFORMATION



SERIES INDICATOR

- HFCS** = Low profile
 .050" x .100" IDC
 Socket for single
 layer .025"
 Flat Cable
- HFCS-A** = Low profile
 .050" x .050" IDC
 Socket for single
 layer .025"
 Flat Cable
- HFTR** = .050" Transition
 plug
- HFDP** = .050" Paddleboard
 Connector for
 single layer .025"
 Flat Cable
- FDH** = 4 Row
 Transition plug

PLATING

- SG** = Selective
 gold plating
 in contact
 area, nickel
 plating in
 termination
 area
- T** = Tin plated
 (HFDP &
 FDH only)

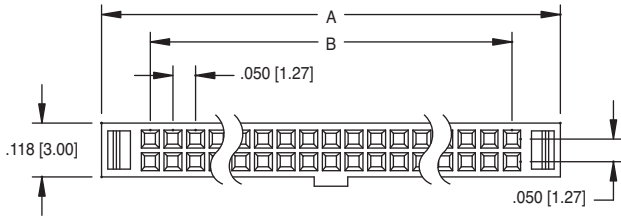
POSITIONS

- HFCS:** 10, 20, 30, 40,
 50, 60, 70, 80,
 90, 100
- HFCS-A:** 10, 20, 26, 34,
 40, 50
- HFDP:** 30, 50, 68,
 72, 80, 100
- HFTR:** 10, 12, 14, 16,
 20, 22, 26, 30,
 34, 40, 44, 50
- FDH:** 10, 14, 16,
 20, 26, 34,
 40, 50, 60

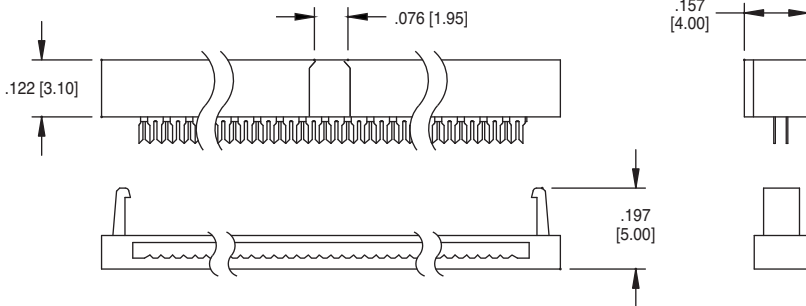
OPTIONS

Add designator(s) to end of part number
N = No polarization bump (HFCS series)

HFCS-A .050" X .050"

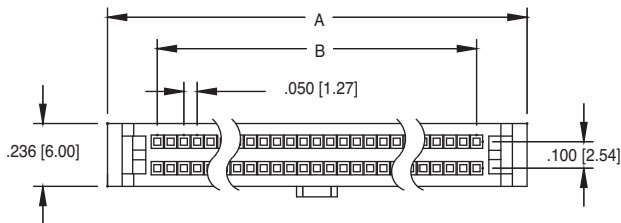


HFCS-A-34-SG

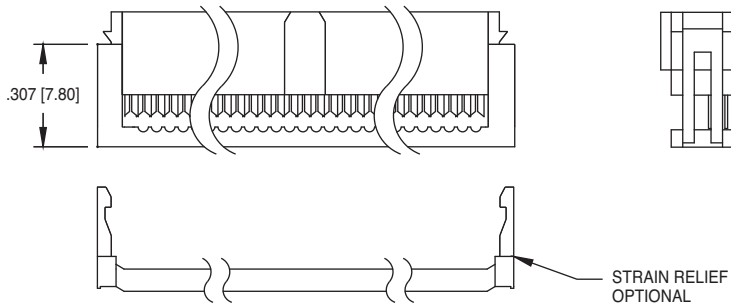


PART No. & POSITIONS	DIMENSIONS	
	A	B
HFCS-A-10 SG	.450 [5.08]	.413 [10.50]
HFCS-A-20 SG	.450 [11.43]	.665 [16.90]
HFCS-A-26 SG	.600 [15.24]	.815 [20.70]
HFCS-A-34 SG	.800 [20.32]	1.016 [25.80]
HFCS-A-40 SG	.950 [24.13]	1.165 [29.60]
HFCS-A-50 SG	1.200 [30.48]	1.413 [35.90]

HFCS .050" X .100"



HFCS-40-SG



PART No. & POSITIONS	Dimensions	
	A	B
HFCS-10 SG	0.437 [5.08]	0.200 [11.10]
HFCS-20 SG	0.687 [11.43]	0.450 [17.45]
HFCS-30 SG	0.937 [17.78]	0.700 [23.80]
HFCS-40 SG	1.187 [24.13]	0.950 [30.15]
HFCS-50 SG	1.437 [30.48]	1.200 [36.50]
HFCS-60 SG	1.687 [36.83]	1.450 [42.85]
HFCS-70 SG	1.937 [43.18]	1.700 [49.20]
HFCS-80 SG	2.187 [49.53]	1.950 [55.55]
HFCS-90 SG	2.437 [55.88]	2.200 [61.90]
HFCS-100 SG	2.687 [62.23]	2.450 [68.25]