

INTRODUCTION:

Adam Tech's Memory Connector series is a complete range of memory sockets for most memory card applications including Compact Flash, PCMCIA, Memory Stick and Secure Digital. Our advanced designs are focused on their ease of use, mating accuracy, card retention and cycle life. Precision engineered, extremely durable mating contacts and PCB leads contribute to a solid, high reliability, long life design.

FEATURES:

Multitude of sockets to satisfy most applications
Precision, compact designs
Fine pitched, heavy duty contacts
Sockets conform to CFA, JEIDA, PCMCIA & JEDEC

MATING OPTIONS:

All industry standard memory cards

SPECIFICATIONS:

Material:

Insulator: PA9 or LCP, glass reinforced, rated UL94V-0
Contacts: Phosphor Bronze
Frame / shield: Brass, nickel plated

Contact Plating:

Gold over nickel underplate on contact area, tin over copper underplate on tails.

Electrical:

Operation voltage: 250V AC max.
Current rating: 0.5 and 1 Amps max.
Contact resistance: 40 mΩ max. initial
Insulation resistance: 1000 MΩ min.
Dielectric withstanding voltage: 1000V AC for 1 minute

Mechanical:

Mating durability: 10,000 cycles min.

Temperature Rating:

Operating temperature: -20°C to +85°C

PACKAGING:

Anti-ESD plastic trays

SAFETY AGENCY APPROVALS:

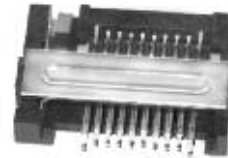
UL Recognized & CSA Certified, File no. E224053



MEMORY SOCKETS

MEMORY STICK, SMART MEDIA,
COMPACT FLASH
SECURE DIGITAL & PCMCIA

Memory Stick



MS-10-A-SG
Pg 258

Micro Secure Digital (Push-Push Type)



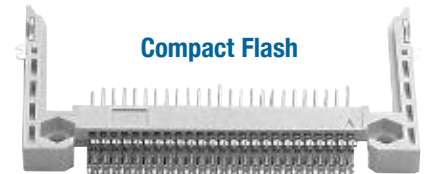
MCSP-08-C-SG (Reverse Type)
Pg 260

Mini Secure Digital



MSD-11-B-SG (Standard Type)
Pg 260

Compact Flash



CFA-50-A-SG-B-1
Pg 262-263

Compact Flash



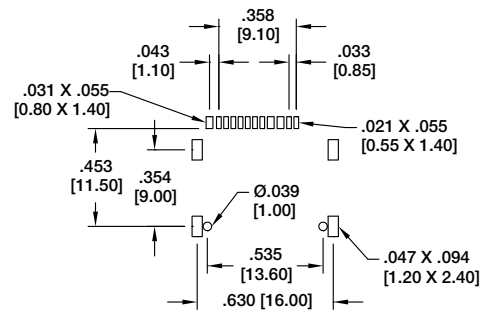
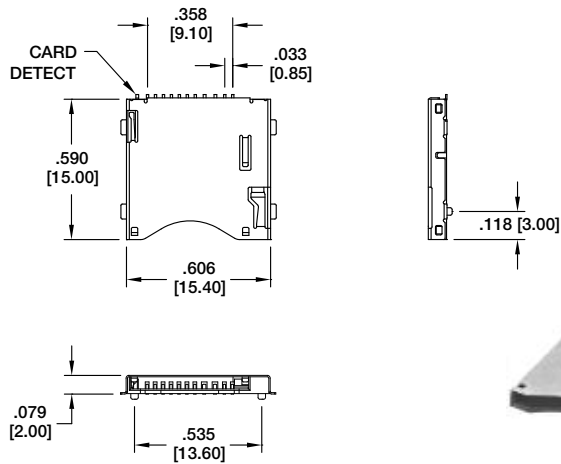
CFA-50-A-SMT-A
Pg 261

OPTIONS:

Add designator(s) to end of part number
30 = 30 μin gold plating in contact area

MICRO MEMORY STICK

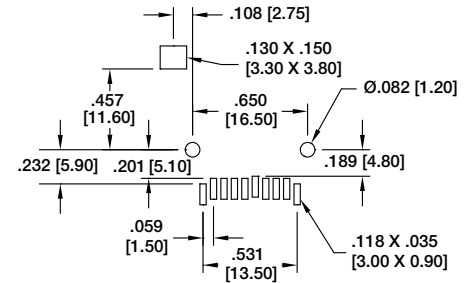
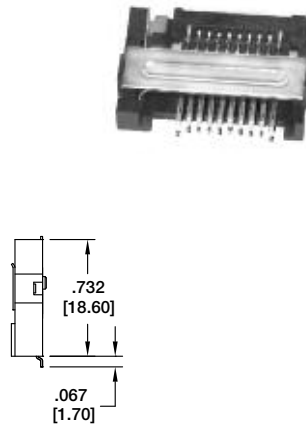
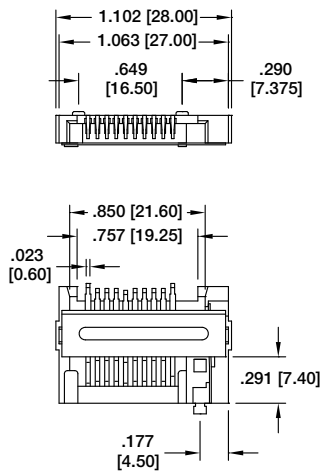
MMSP-11-A-SG



Recommended PCB Layout

MEMORY STICK

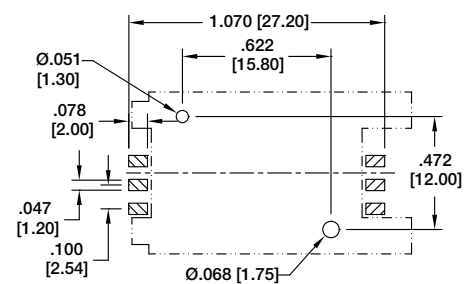
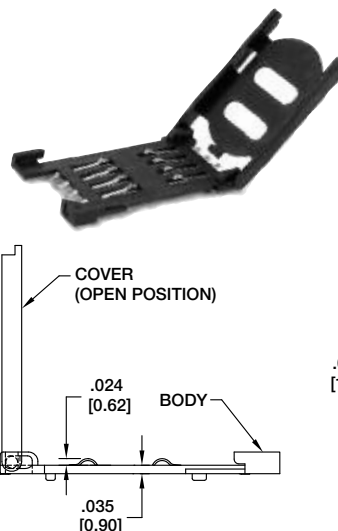
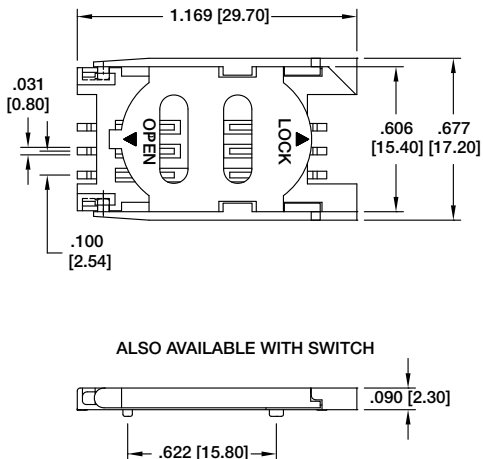
MS-10-A-SG (NORMAL TYPE)



Recommended PCB Layout

SIM CARD SOCKET

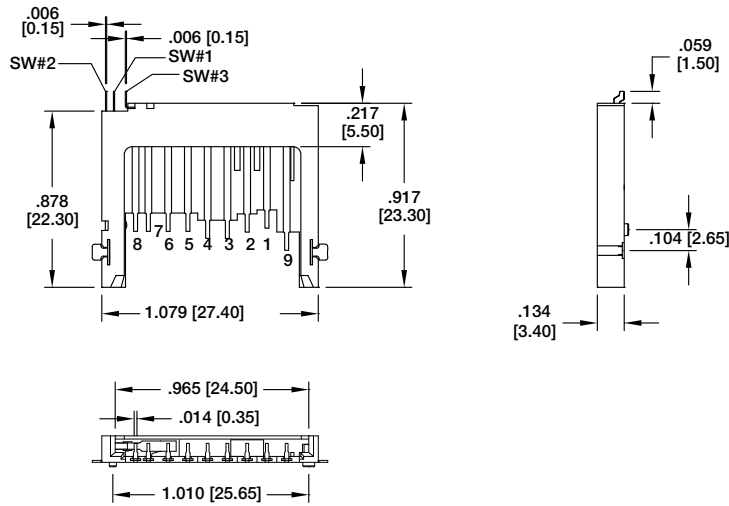
SCC-06-SG-HC



Recommended PCB Layout

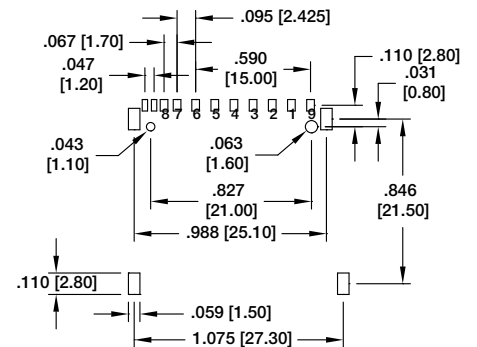
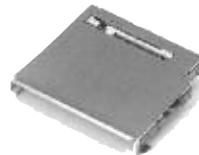
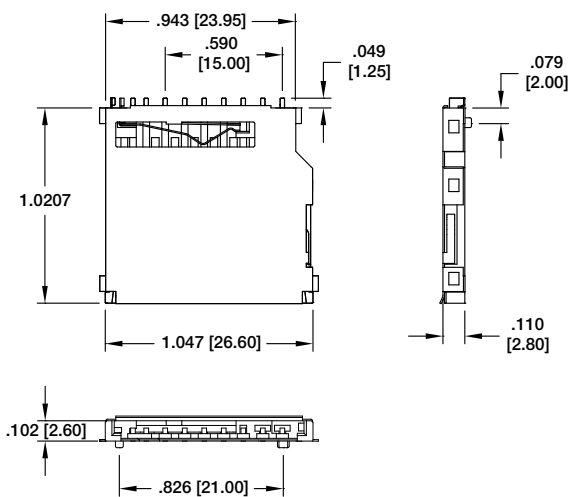
SECURE DIGITAL

SD-09-B-SG



SECURE DIGITAL METAL COVER

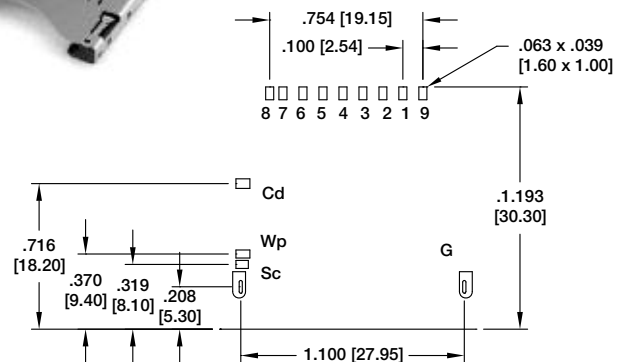
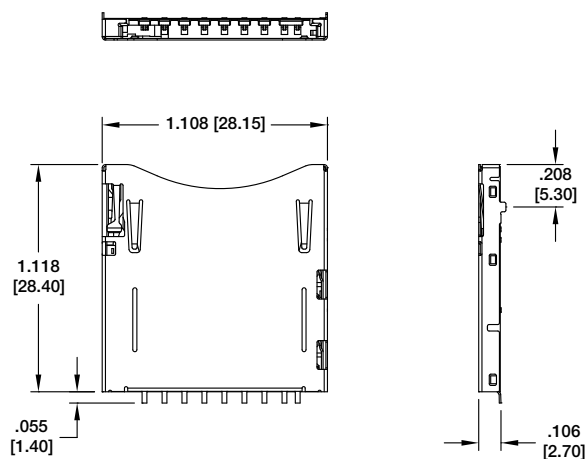
SDM-09-A-SG-0



Recommended PCB Layout

SECURE DIGITAL PUSH IN / PUSH OUT

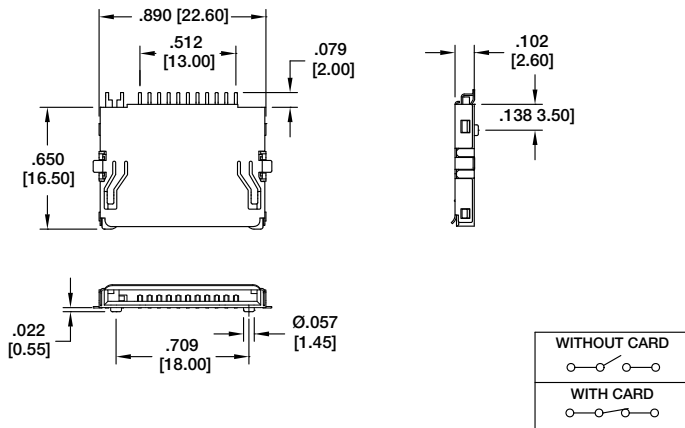
SDP-09C-SG



Recommended PCB Layout

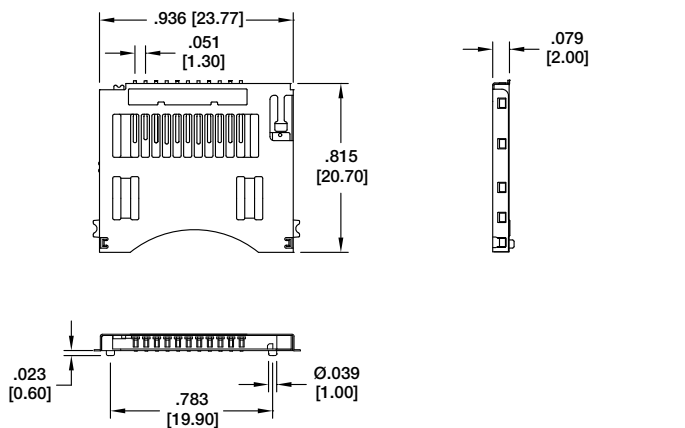
MINI SECURE DIGITAL

MSD-11-B-SG (STANDARD TYPE)



MINI SECURE DIGITAL (PUSH - PUSH TYPE)

MSDPR-11-B-SG (REVERSE TYPE)



MICRO SECURE DIGITAL (PUSH - PUSH TYPE)

MCSP-08-C-SG

