

INTRODUCTION:

Adam Tech ICS Series IC Sockets are a low profile design available in single or dual row on .100" centerline pin spacing with .300" or .600" row spacing. Our ISD Series are fine pitched sockets on .070" centerlines with .300" or .600" row spacing. All Adam Tech sockets are manufactured with our exclusive single beam dual wipe contact design which produces a high pressure wiping action for superior connectivity. In addition to an internal contact stop which prevents over stressing of the contact, each has a wide lead in to eliminate mis-mating and a closed bottom anti-solder wicking design.

FEATURES:

- High Pressure Contacts
- Single Beam, Dual Wipe Contacts
- Anti-Solder Wicking design
- Machine Insertable
- Single or Dual Row
- Low Profile

MATING COMPONENTS:

All industry standard components with SIP or DIP leads

SPECIFICATIONS:

Material:

Standard insulator: PBT, Glass reinforced, rated UL94V-0
 Optional Hi-Temp insulator: Nylon 6T, rated UL94V-0
 Insulator Color: Black
 Contacts: Phosphor Bronze

Contact Plating:

Tin over copper underplate overall

Electrical:

Operating voltage: 250V AC max.
 Current rating: 1 Amp max.
 Contact resistance: 20 mΩ max. initial
 Insulation resistance: 5000 MΩ min.
 Dielectric withstanding voltage: 1000V AC for 1 minute

Mechanical:

Insertion force: 11.5 oz max with .024" X .006" leads
 Withdrawal force: 0.85 oz min with .024" X .006" leads

Temperature Rating:

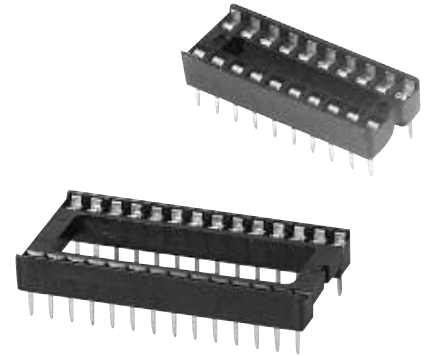
Operating temperature: -55°C to +85°C
 Soldering process temperature:
 Standard insulator: 235°C
 Hi-Temp insulator: 260°C

PACKAGING:

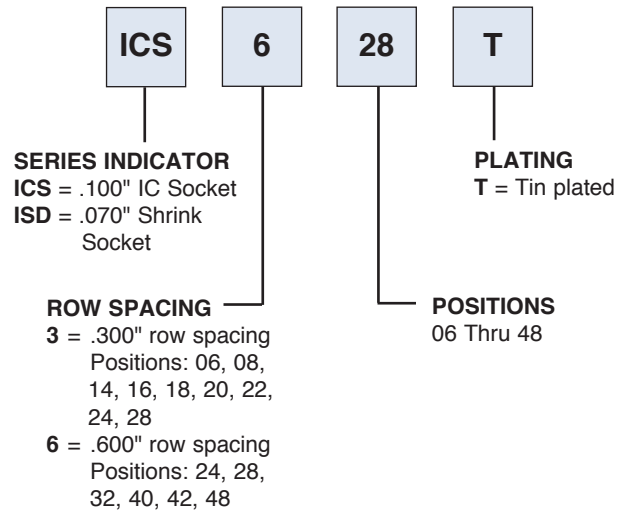
Anti-ESD plastic tubes

SAFETY AGENCY APPROVALS:

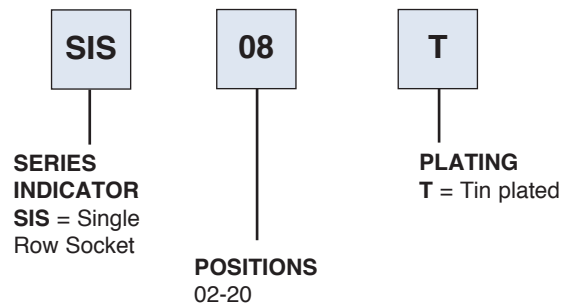
UL Recognized & CSA Certified, File no. E224053



**ORDERING INFORMATION
IC SOCKETS**



**ORDERING INFORMATION
SINGLE ROW SOCKETS**



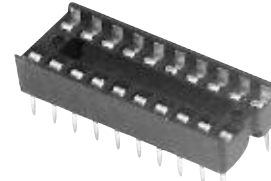
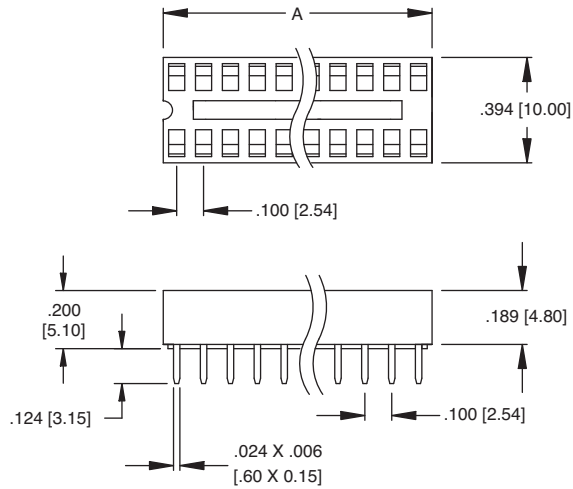
OPTIONS:

Add designator(s) to end of part number
OF = Open Frame without center bar
HT = Hi-Temp insulator for Hi-Temp soldering processes up to 260°C

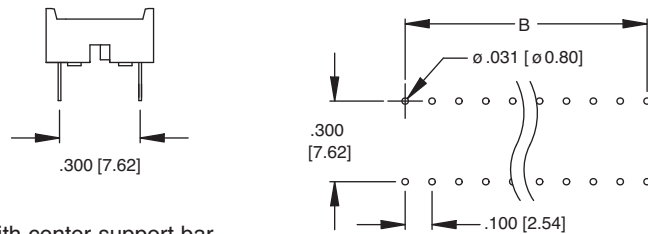
ICS SERIES

.300" ROW CENTERLINE

Positions: 6, 8, 14, 16, 18, 20, 24, 26 & 28



ICS-320-T



Recommended PCB Layout

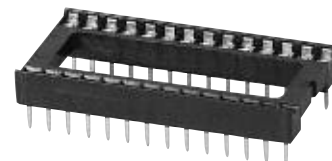
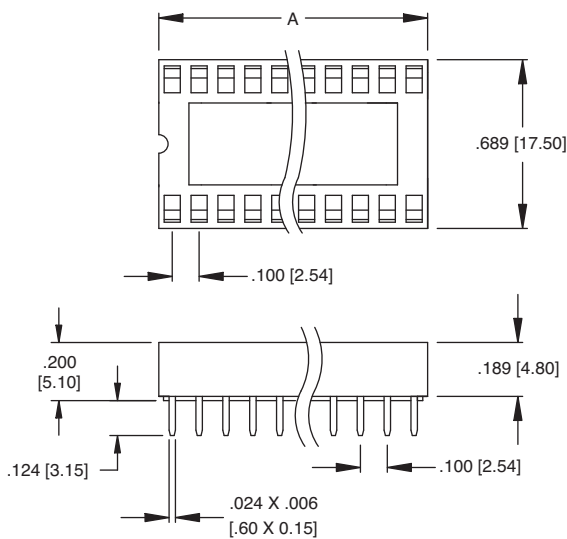
24P thru 32P Produced with center support bar.

A = .100 [2.54] X No. of Positions Per Row
B = .100 [2.54] X No. of Spaces Per Row

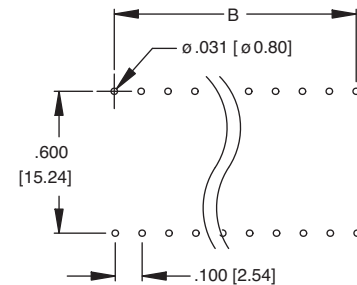
ICS SERIES

.600" ROW CENTERLINE

Positions: 20, 24, 28, 32, 40 & 48



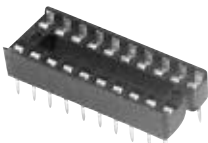
ICS-628-T



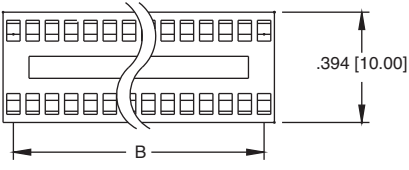
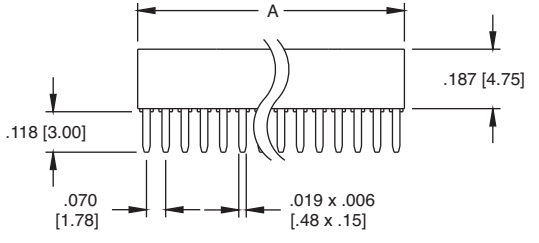
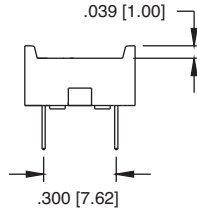
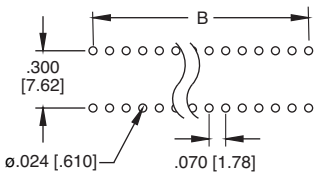
Recommended PCB Layout

A = .100 [2.54] X No. of Positions Per Row
B = .100 [2.54] X No. of Spaces Per Row

ISD SERIES
.300" ROW CENTERLINE
SHRINK DIP SOCKETS
POSITIONS: 24, 28, 30




ISD-320-T

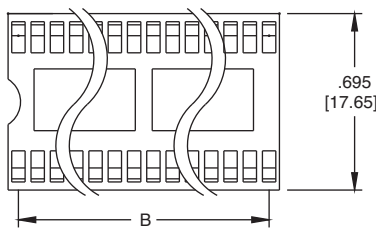
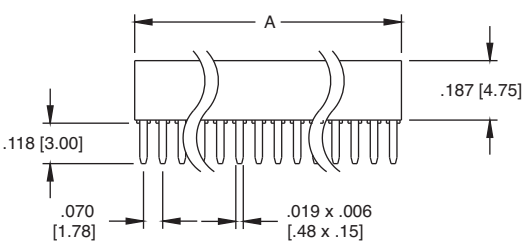
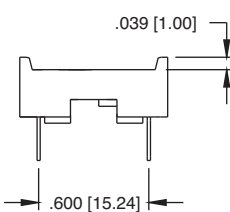
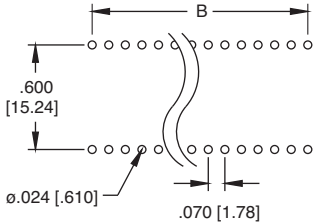
Recommended PCB Layout

A = .070 [1.78] X No. of Positions Per Row
B = .070 [1.78] X No. of Spaces

ISD SERIES
.600" ROW CENTERLINE
SHRINK DIP SOCKETS
POSITIONS: 40, 42




ISD-642-T

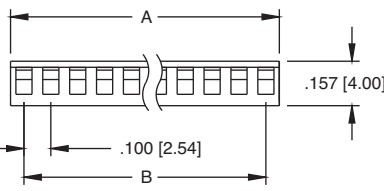
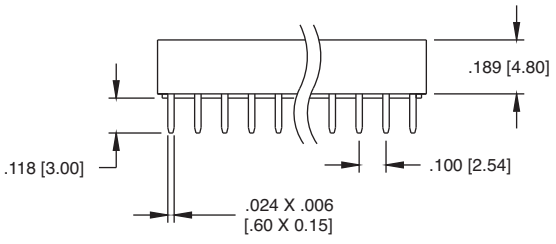
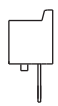
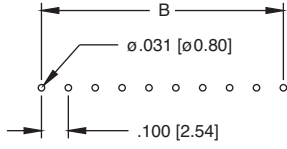
Recommended PCB Layout

A = .070 [1.78] X No. of Positions Per Row
B = .070 [1.78] X No. of Spaces

SIS SERIES
.100" SINGLE ROW
POSITIONS: 2P-20P



SIS-12-T

Recommended PCB Layout

A = .100 [2.54] X No. of Positions
B = .100 [2.54] X No. of Spaces