

INTRODUCTION:

Adam Tech HMCA Series Card Edge Connectors include Standard and Express versions designed for PCB's in Peripheral Component Interconnect (PCI) applications. Each is manufactured in a four row, high density package which is completely compatible to industry standards and has specially engineered contacts which provide a very short electrical path between boards. Adam Tech card edge connectors are designed for high performance with solid board pegs and precision located, selectively gold plated contacts which are ideal in high speed, increased bandwidth applications

FEATURES:

- PCI and PCI Express Versions
- High density compact designs
- Industry standard PCI compatible
- Special contact design reduces electrical path
- Selectively plated contacts
- Open bottom for after solder cleaning

MATING PC BOARDS:

All .050" centerline printed circuit board pads with a thickness of .062" to .072"

SPECIFICATIONS:

Material:

Standard insulator: PPS, 30% glass reinforced, rated UL94V-0

Optional Hi-Temp insulator: Nylon 6T, rated UL94V-0

Insulator Color: Dark Brown (White for 120 pos.)

Contacts: Phosphor Bronze

Contact Plating:

Gold flash (30 μ in optional) over Nickel underplate on contact area, tin over copper underplate on tails.

Electrical:

Operating voltage: 125V AC max.

Current rating: 1 Amp max.

Contact resistance: 30 m Ω max. initial

Insulation resistance: 1000 M Ω min.

Dielectric withstanding voltage: 500V AC for 1 minute

Mechanical:

Insertion force: 7 oz max.

Withdrawal force: 0.9 oz min

Temperature Rating:

Operating temperature: -55°C to +105°C

Soldering process temperature:

Standard insulator: 235°C

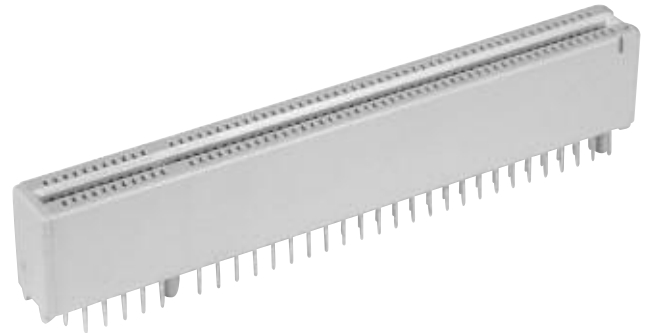
Hi-Temp insulator: 260°C

PACKAGING:

Anti-ESD plastic trays

SAFETY AGENCY APPROVALS:

UL Recognized & CSA Certified, File no. E224053



ORDERING INFORMATION

HMCA

A

112

G

SERIES INDICATOR

HMCA =
VESA Micro-channel
Card Edge connector

PLATING

G = Selectively
gold plated
contacts

PEGS =

A = Plastic pegs

B = Metal boardlocks

POSITIONS

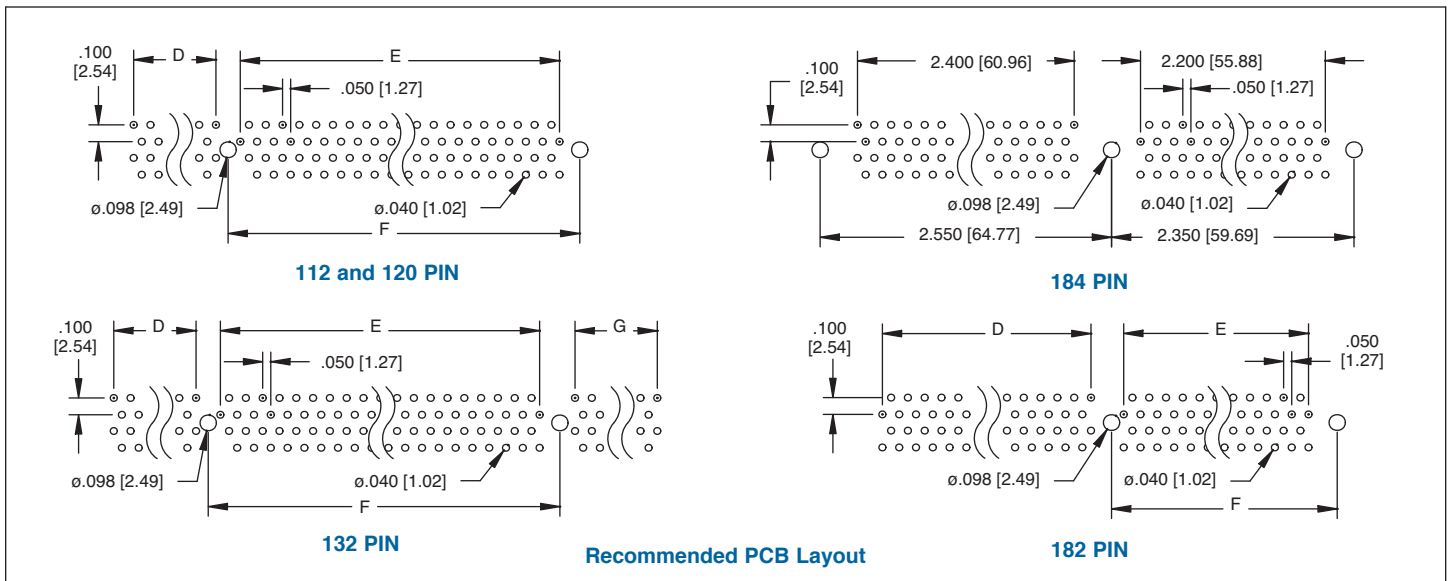
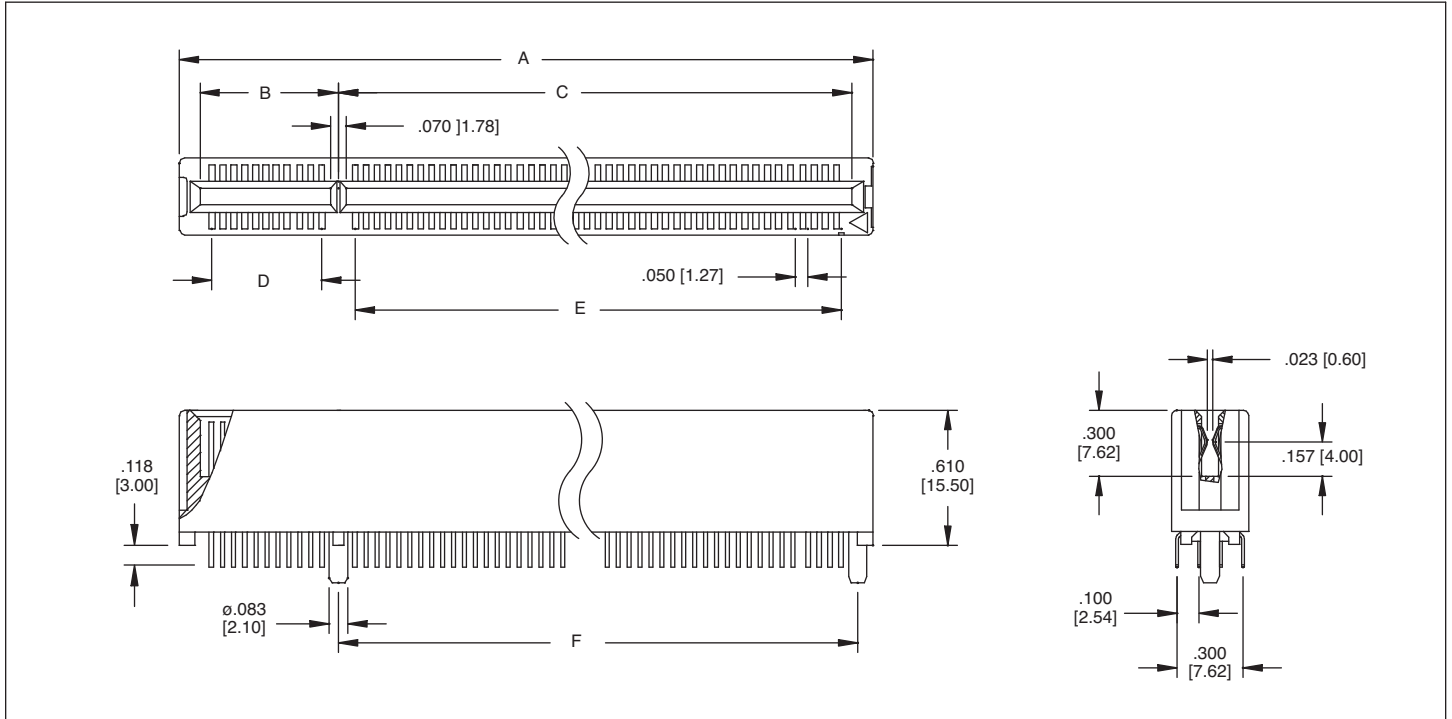
112, 120, 132, 182, 184, 194

OPTIONS

Add designator(s) to end of part number

30 = 30 μ in gold plating in contact area

HT = Hi-Temp insulator for Hi-Temp soldering
processes up to 260°C



Unit: Inch [mm]

Part No. & Positions	Dimensions						
	A	B	C	D	E	F	G
HMCA-112-G	3.140 [79.76]	0.625 [15.88]	2.325 [59.06]	0.500 [12.70]	2.200 [55.88]	2.232 [56.69]	—
HMCA-120-G	3.340 [84.84]	0.625 [15.88]	2.525 [64.14]	0.500 [12.70]	2.400 [60.96]	2.550 [64.77]	—
HMCA-132-G	3.740 [95.00]	0.625 [15.88]	2.925 [74.30]	1.834 [46.60]	2.200 [55.88]	2.350 [59.69]	0.450 [11.43]
HMCA-182-G	4.890 [124.21]	2.175 [55.25]	2.525 [64.14]	2.050 [52.07]	2.050 [52.07]	2.550 [64.77]	—
HMCA-194-G	5.290 [134.37]	2.175 [55.25]	2.925 [74.30]	2.050 [52.07]	2.200 [55.88]	2.350 [59.69]	0.450 [11.43]