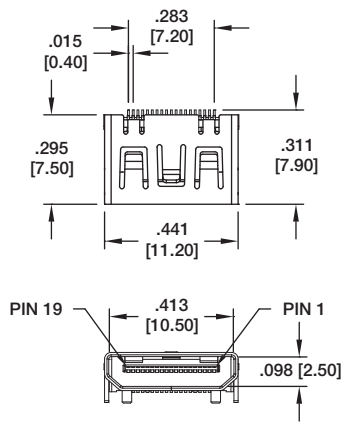
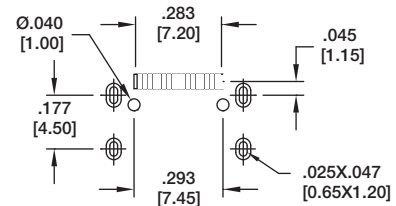


#### MINI HDMI, RIGHT ANGLE, SMT

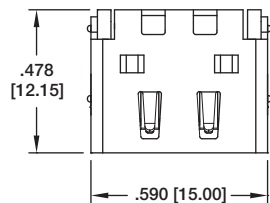


MHDMI-S-RA-1-SMT

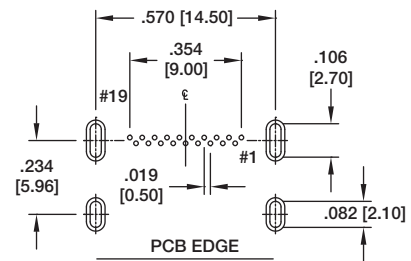
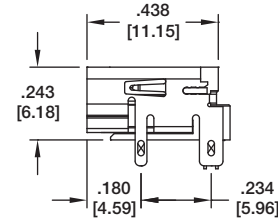
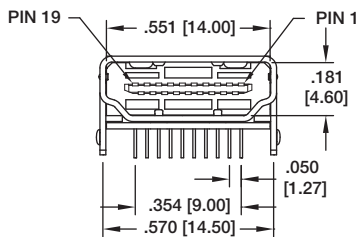


Recommended PCB Layout

#### RIGHT ANGLE THRU-HOLE

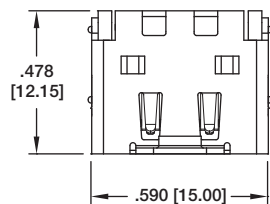


HDMI-S-RA-1

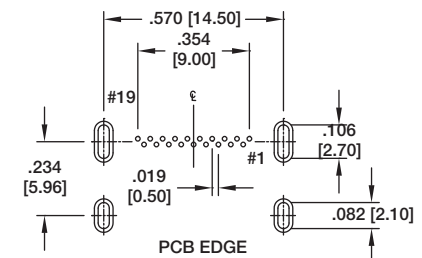
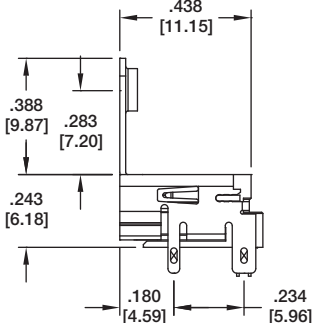
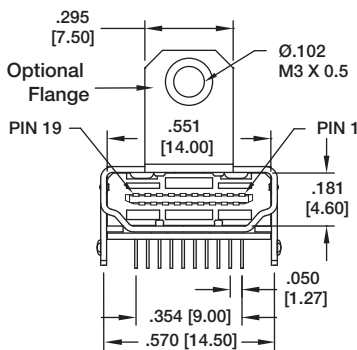


Recommended PCB Layout

#### HDMI RIGHT ANGLE

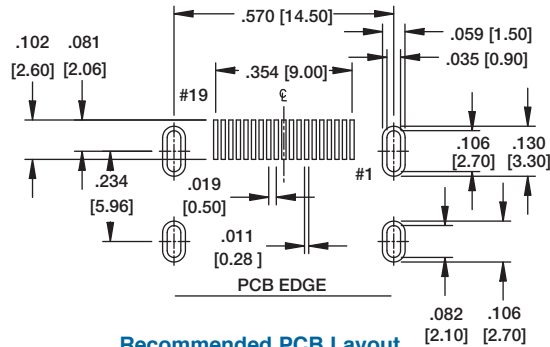
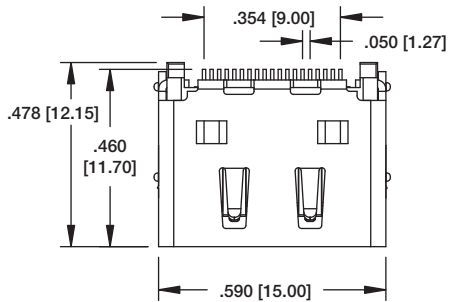


HDMI-S-RA-1-MF

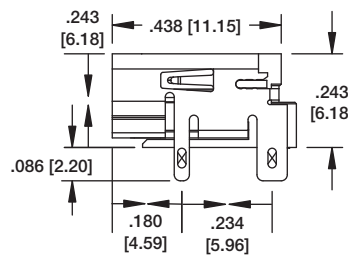
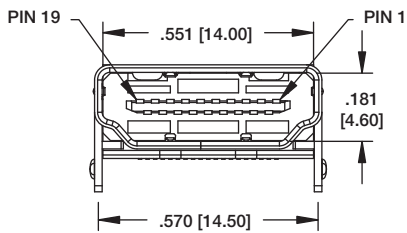


Recommended PCB Layout

#### RIGHT ANGLE SMT

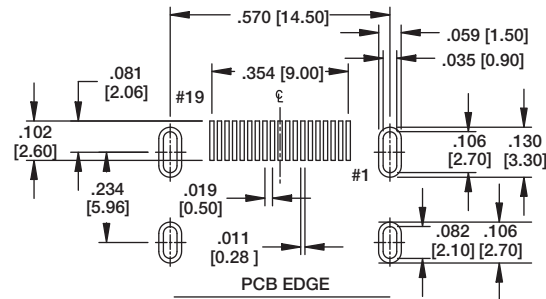
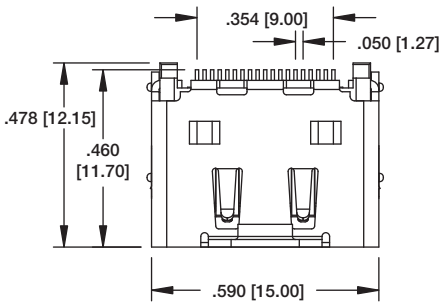


Recommended PCB Layout

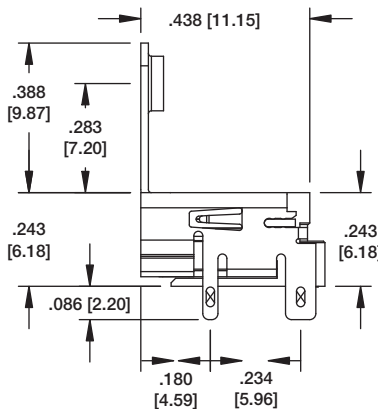
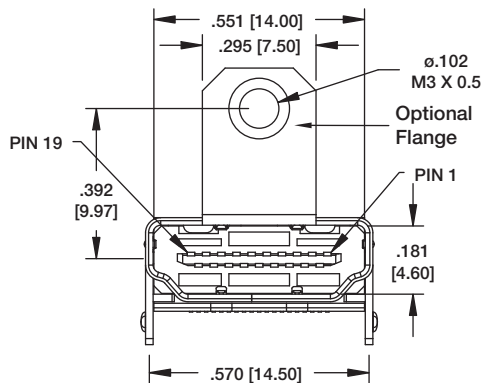


HDMI-S-RA-SMT

#### RIGHT ANGLE SMT WITH MOUNTING FLANGE



Recommended PCB Layout



HDMI-S-RA-SMT-MF