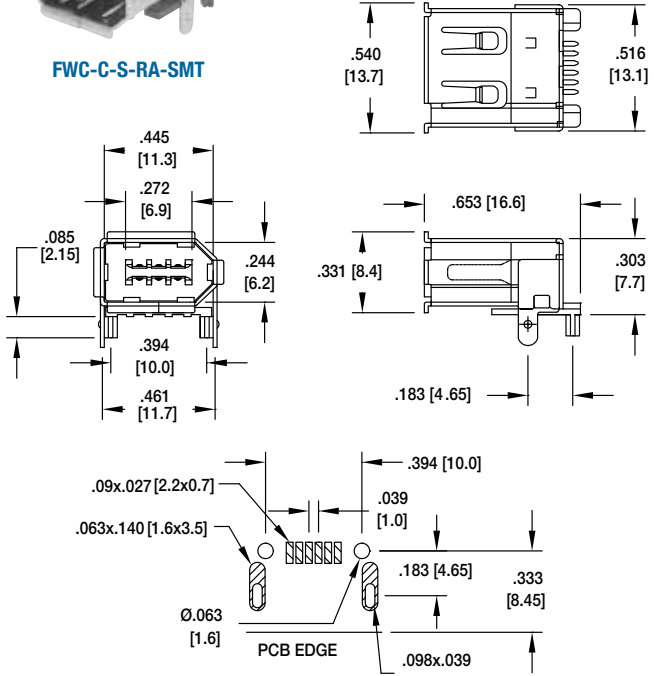



**FWC-C-S-RA-SMT**

**IEEE 1394, RIGHT ANGLE, SMT**

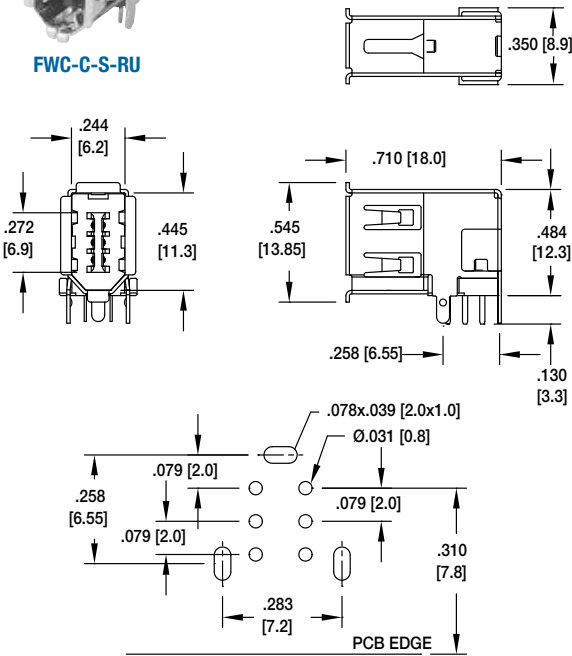


**Recommended PCB Layout**




**FWC-C-S-RU**

**IEEE 1394, RIGHT ANGLE UPRIGHT, THRU-HOLE**

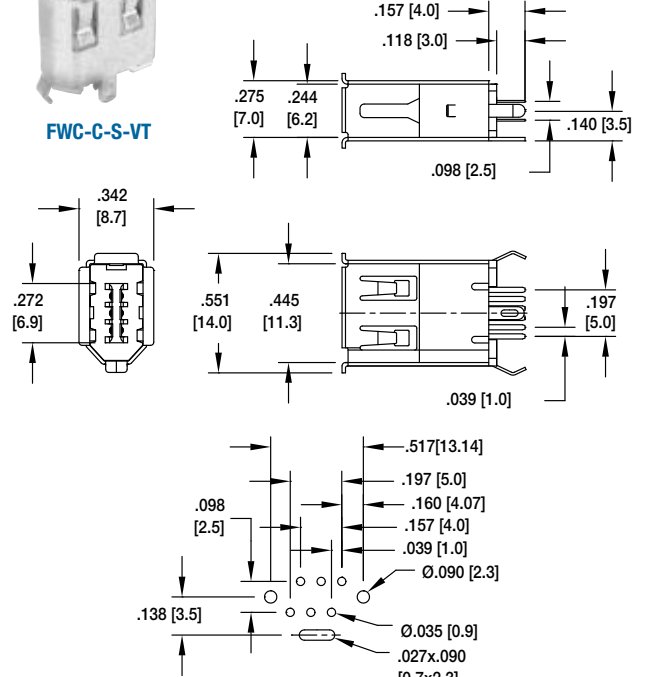


**Recommended PCB Layout**




**FWC-C-S-VT**

**IEEE 1394, VERTICAL THRU-HOLE**

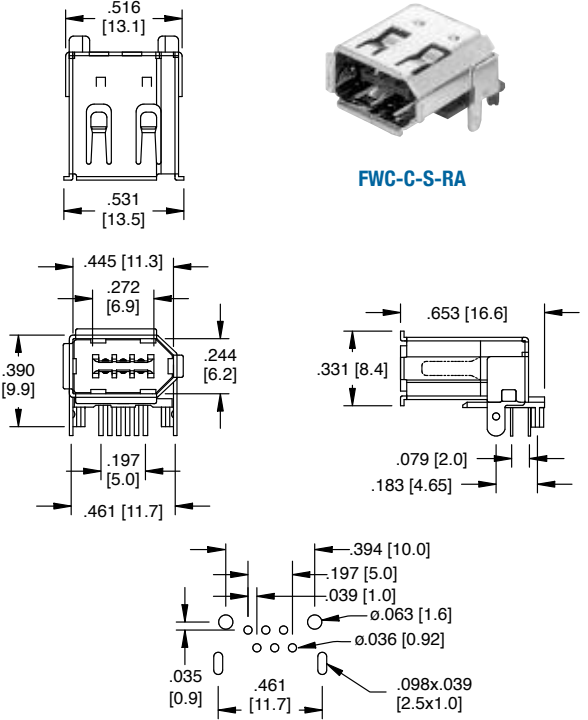


**Recommended PCB Layout**



**FWC-C-S-RA**

**IEEE 1394, RIGHT ANGLE THRU-HOLE**



**Recommended PCB Layout**