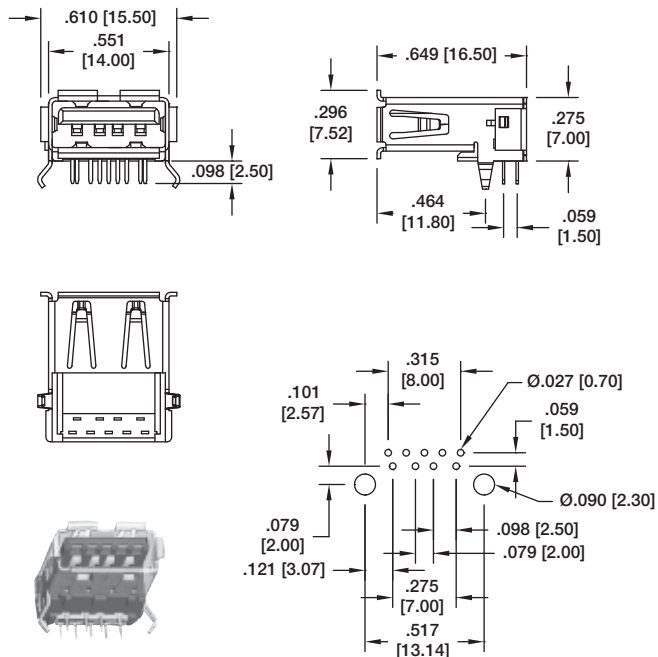


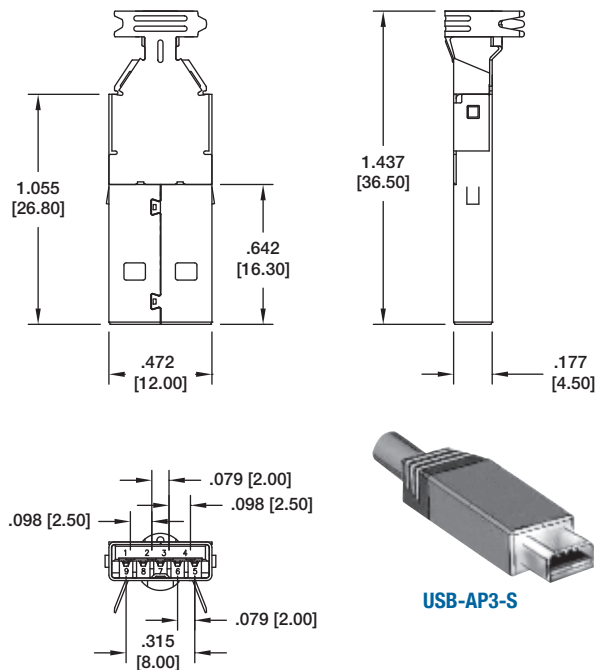
USB 3.0, TYPE A RIGHT ANGLE THRU-HOLE



USB-A3-S-RA

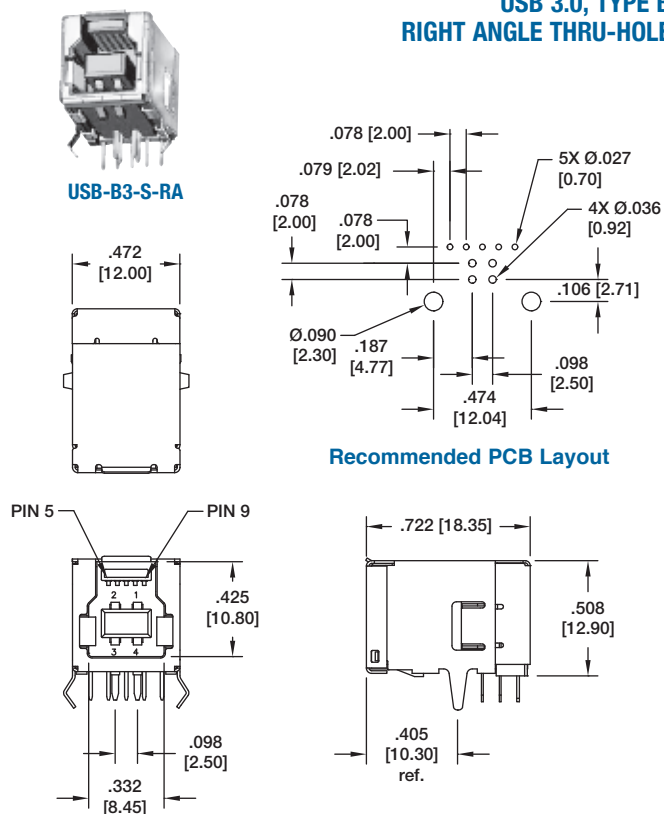
Recommended PCB Layout

USB 3.0, TYPE A PLUG



USB-AP3-S

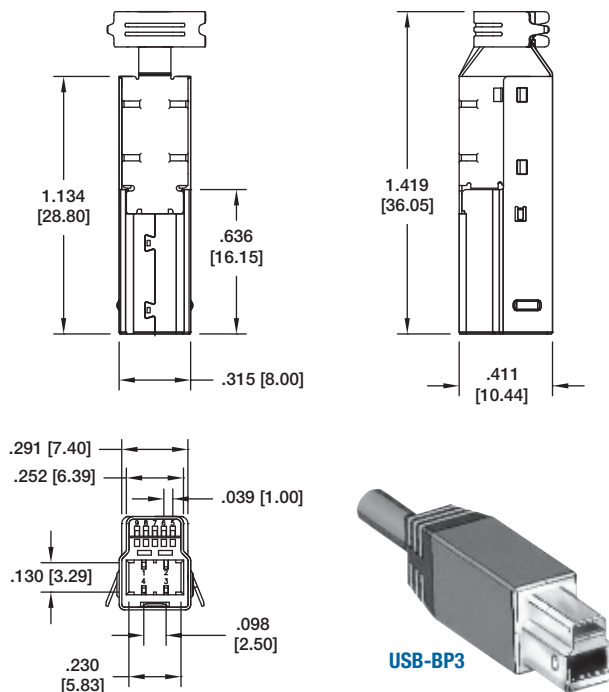
USB 3.0, TYPE B RIGHT ANGLE THRU-HOLE



USB-B3-S-RA

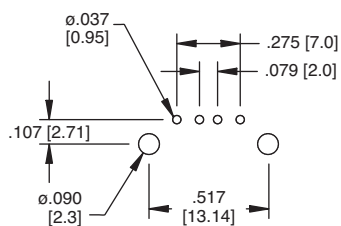
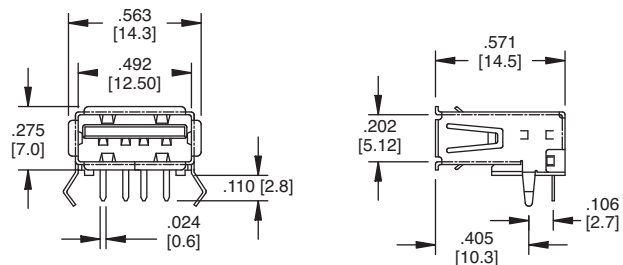
Recommended PCB Layout

USB 3.0, TYPE B PLUG



USB-BP3

USB 2.0, TYPE A RIGHT ANGLE THRU-HOLE

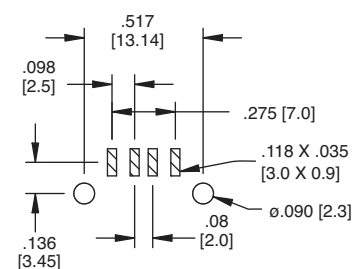
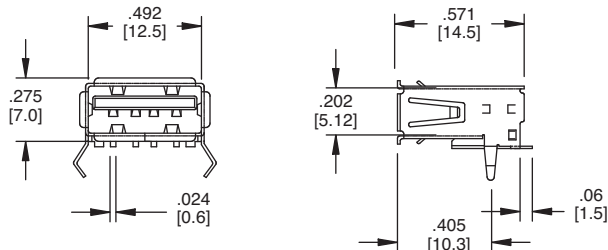


Recommended PCB Layout



USB-A-S-RA

USB 2.0, TYPE A RIGHT ANGLE SMT

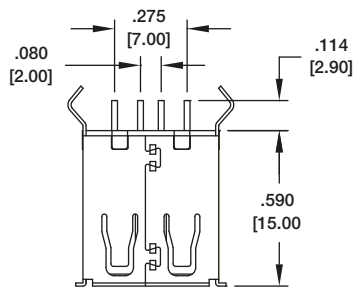


Recommended PCB Layout

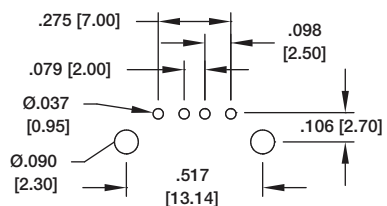
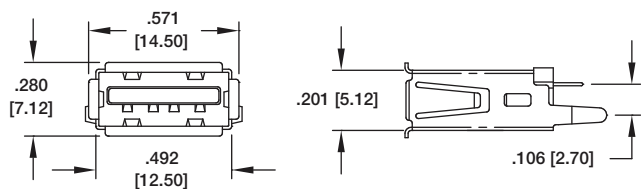


USB-A-S-RA-SMT

USB 2.0, TYPE A VERTICAL THRU-HOLE

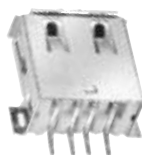


USB-A-S-VT

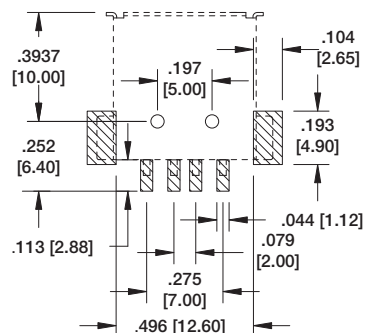
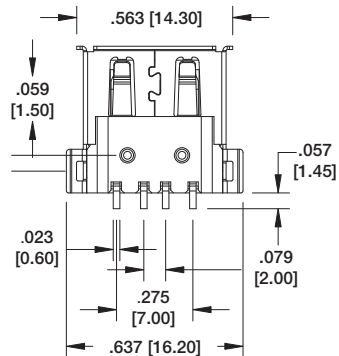
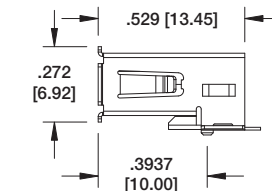
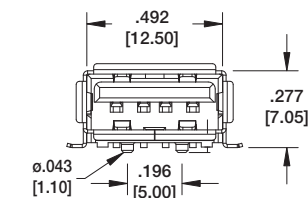


Recommended PCB Layout

USB 2.0, TYPE A RIGHT ANGLE TRUE SMT

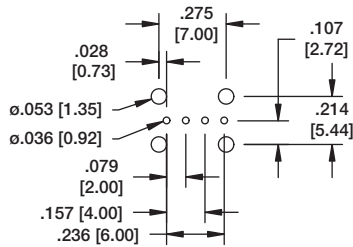
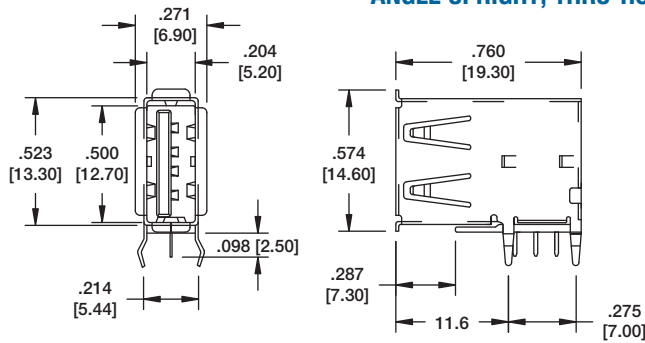


USB-A-S-RA-TSMT



Recommended PCB Layout

USB 2.0, TYPE A ANGLE UPRIGHT, THRU-HOLE

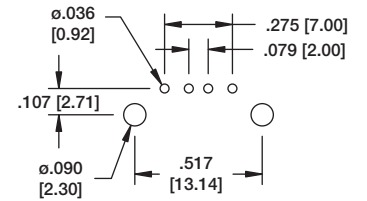
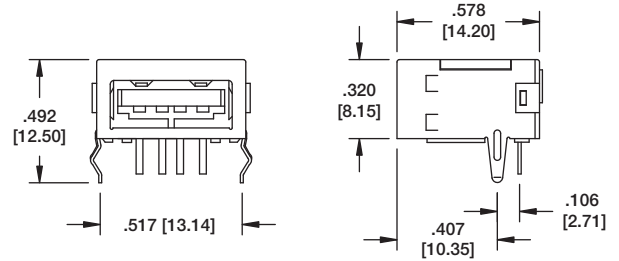


Recommended PCB Layout



USB-A-S-RU

USB 2.0, TYPE A RIGHT ANGLE, THRU-HOLE

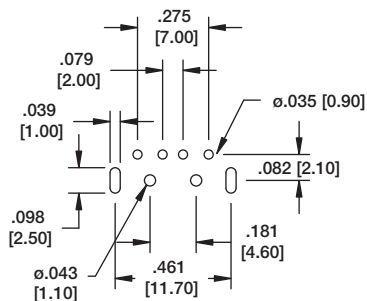
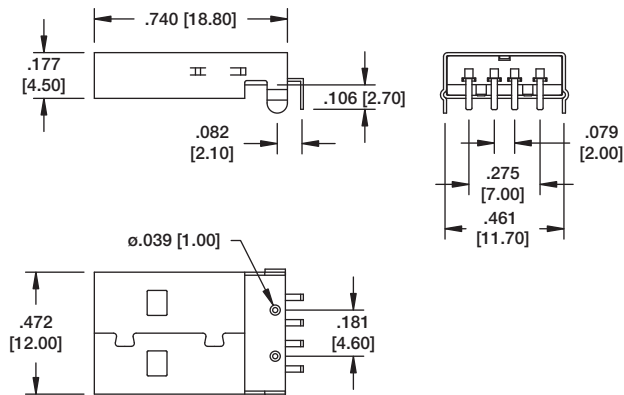


Recommended PCB Layout



USB-A-S-RA-FS

USB 2.0, TYPE A PLUG RIGHT ANGLE, THRU-HOLE

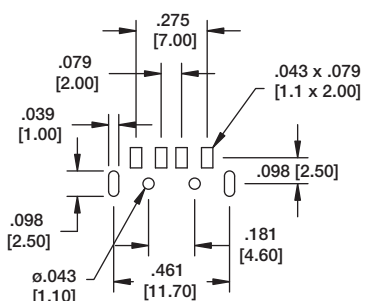
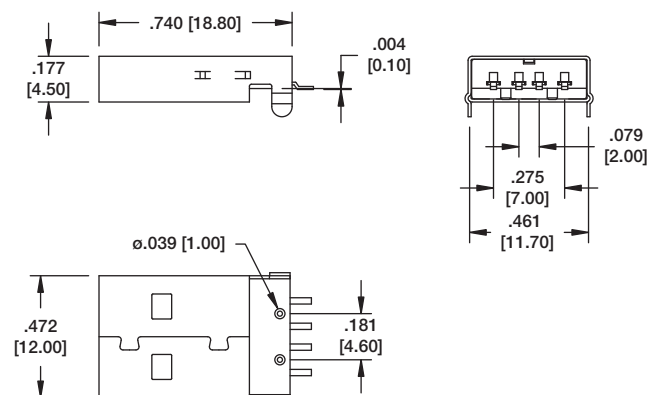


Recommended PCB Layout



USB-AP-S-RA

USB 2.0, TYPE A PLUG RIGHT ANGLE, SMT



Recommended PCB Layout



USB-AP-S-RA-SMT