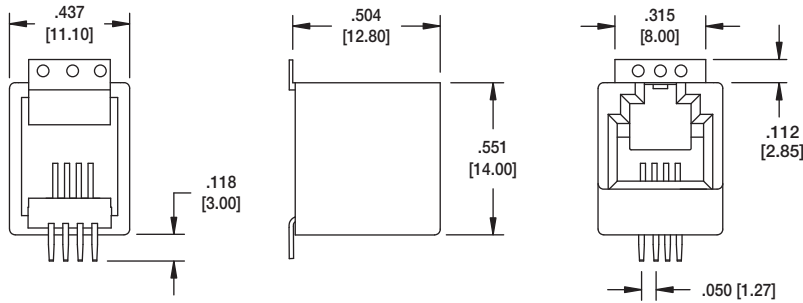


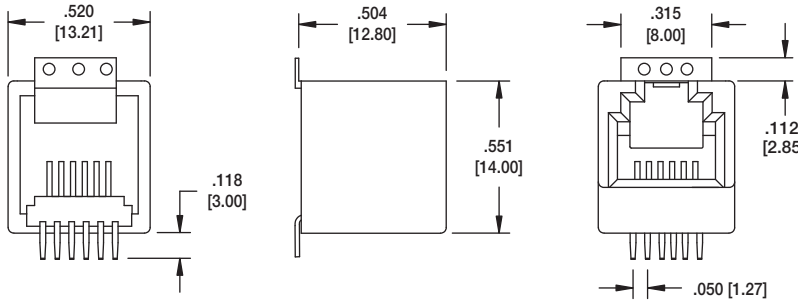
Ordering Information pg. 9

TYPE H
4P4C



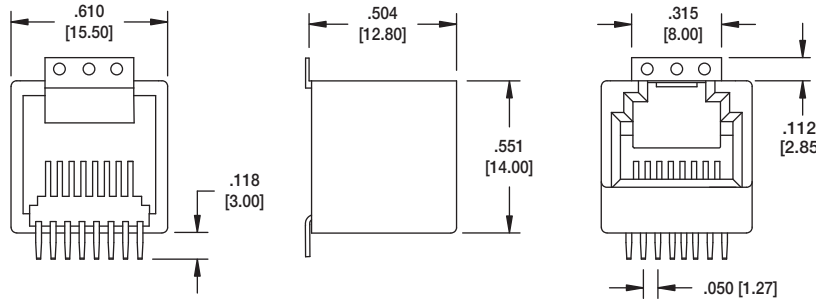
MTJ-44HX1

TYPE H
6P6C

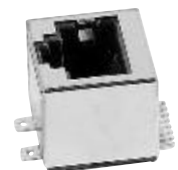


MTJ-66HX1

TYPE H
8P8C



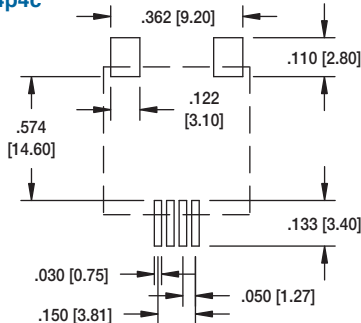
MTJ-88HX1



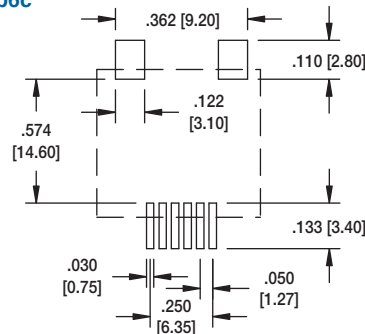
MTJ-88HX1-FS

Recommended PCB Layout

4p4c



6p6c



8p8c

