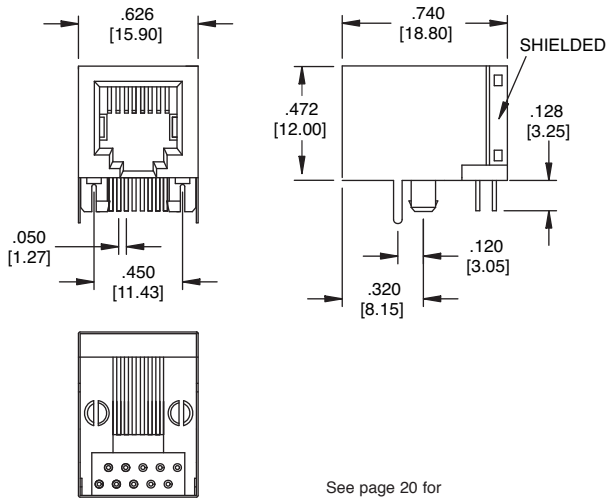


Ordering Information pg. 9

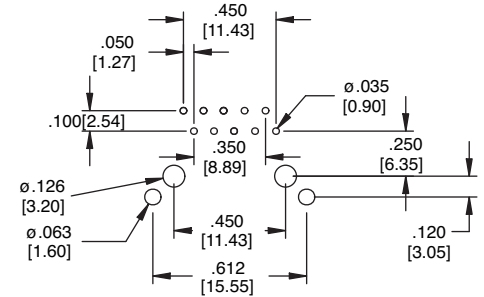
**TYPE W**  
**SHIELDED, THRU HOLE**  
**8P8C**  
**10P10C**



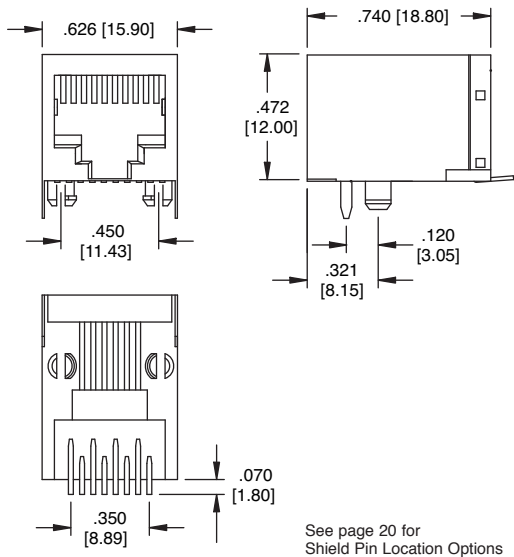
**MTJ-88WX1-FSE**



**MTJ-88WX1-FSE-PG**  
Shown with optional panel ground tabs



**Recommended PCB Layout**

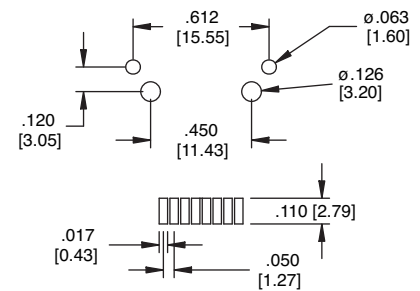


**MTJ-88WX1-FSE-SMT**

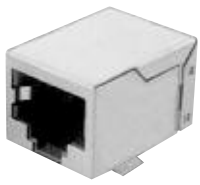
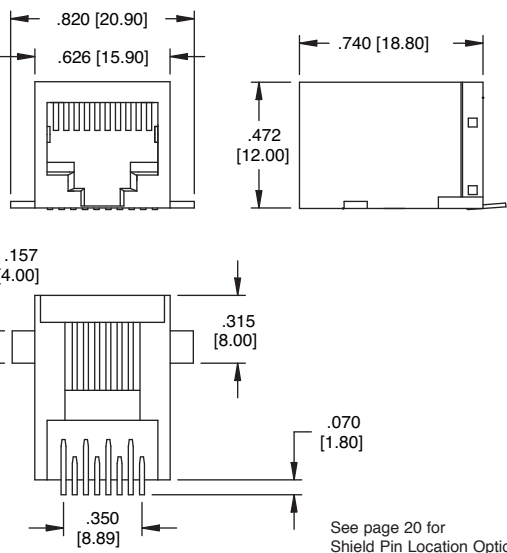


**MTJ-88WX1-FSE-SMT-PG**  
Shown with optional panel ground tabs

**TYPE W**  
**SHIELDED SMT WITH PLASTIC PEG**  
**8P8C**



**Recommended Solder Pad Layout**

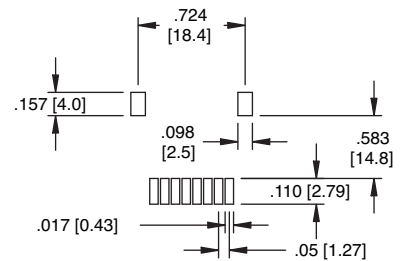


**MTJ-88WX1-FS-TSMT**



**MTJ-88WX1-FS-TSMT-PG**  
Shown with optional panel ground tabs

**TYPE W**  
**SHIELDED TRUE SMT**  
**8P8C**



**Recommended Solder Pad Layout**