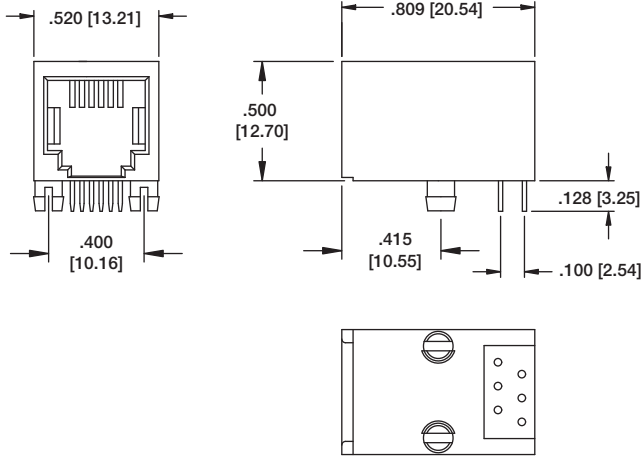


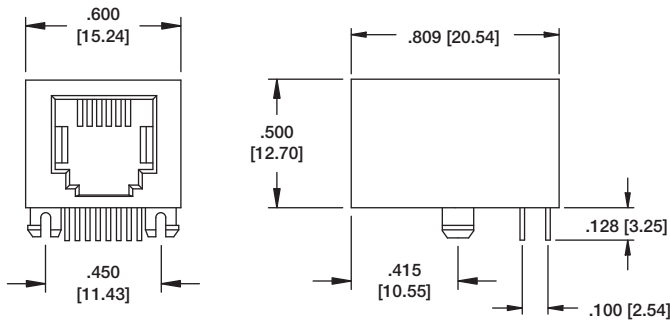
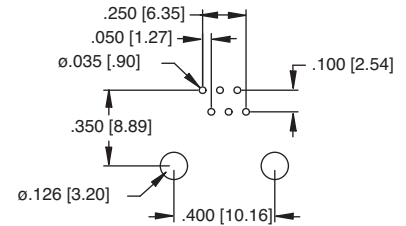
Ordering Information pg. 9

TYPE G
6P6C



MTJ-64GX1

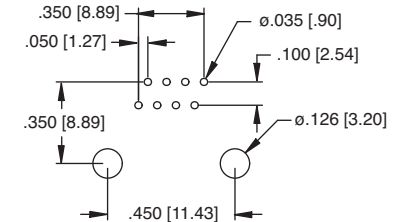
Recommended PCB Layout



MTJ-88GX1

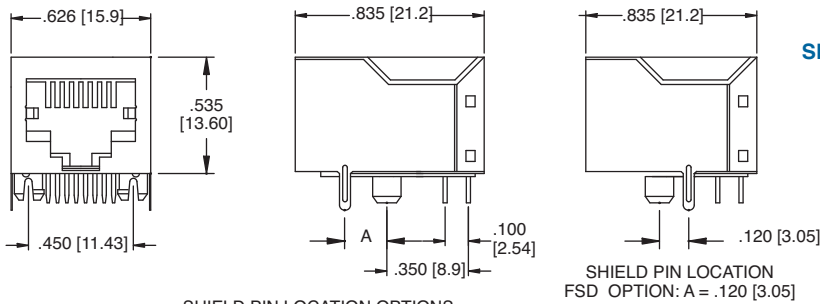
TYPE G
8P8C

Recommended PCB Layout



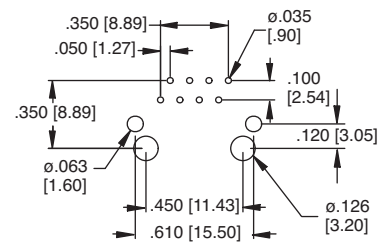
Panel Stops
Available with optional panel stops
Add -PS to end of part No.

TYPE G
SHIELDED
8P8C

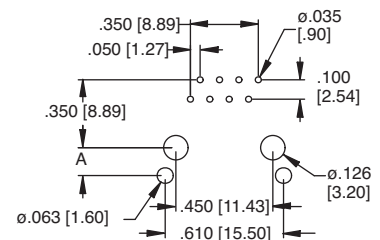


SHIELD PIN LOCATION OPTIONS
FSA OPTION: A = .170 [4.32]
FSB OPTION: A = .144 [3.66]
FSE OPTION: A = .120 [3.05]

Recommended PCB Layout (FSD)



PCB Layout (FSA, FSB, & FSE)



MTJ-88GX1-FSB-PG
Shown with Full Metal Shield
& Panel Ground Tab options



MTJ-88GX1-FSD
Shown with Full
Metal Shield option