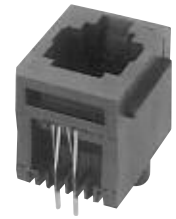
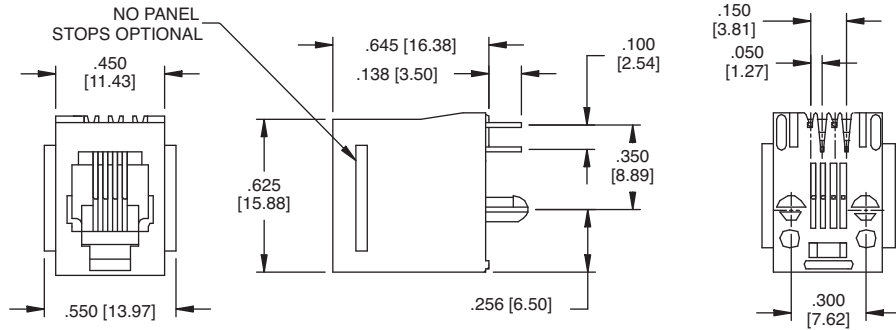


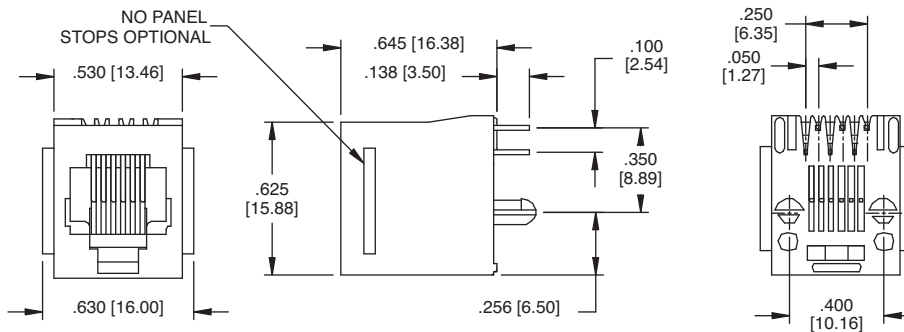
Ordering Information pg. 9

TYPE 3
4P4C



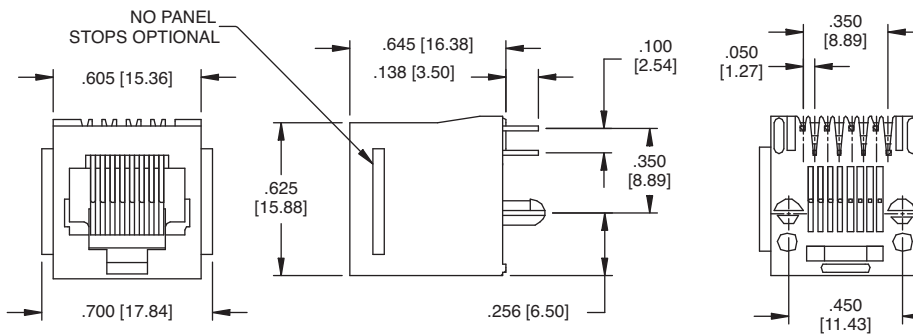
MTJ-443X1

TYPE 3
6P4C



MTJ-663X1

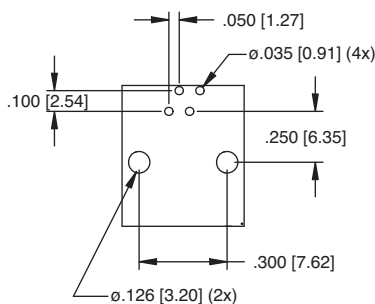
TYPE 3
8P8C



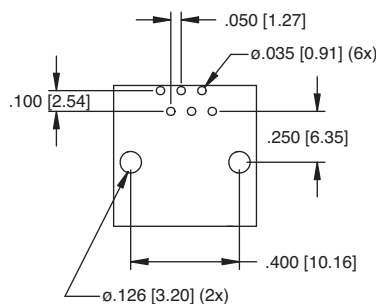
MTJ-883X1

Recommended PCB Layout

4p4c



6p4c
6p6c



8p8c

