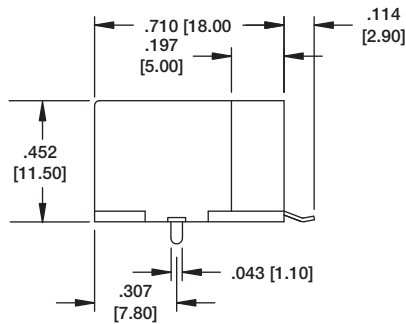
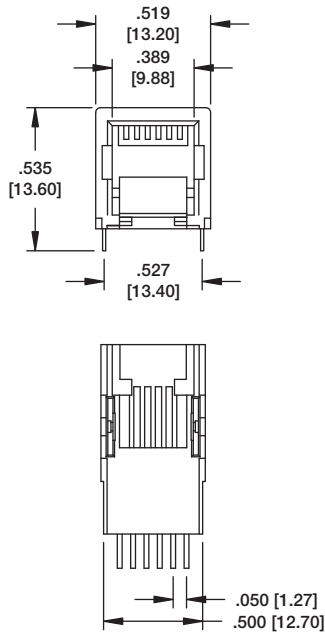
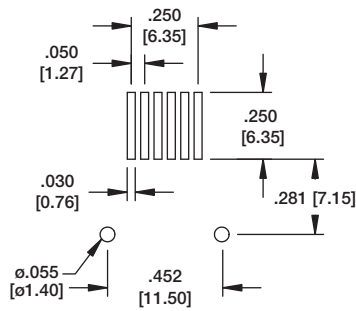


Ordering Information pg. 9

**TYPE Y**  
6P6C  
6P4C

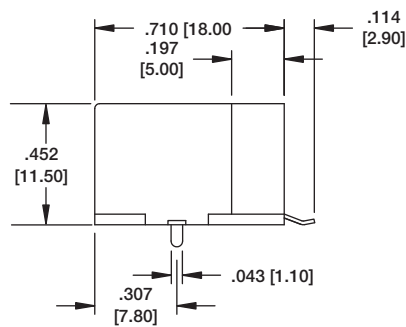
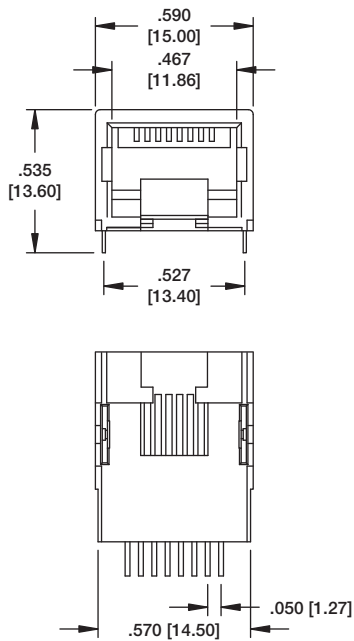


MTJ-66YX1

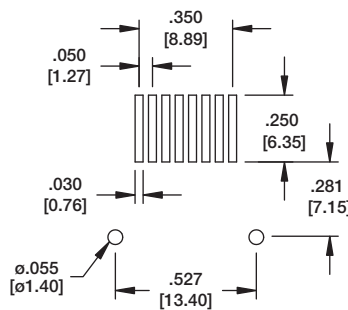


Recommended PCB Layout

**TYPE Y**  
8P8C



MTJ-88YX1



Recommended PCB Layout