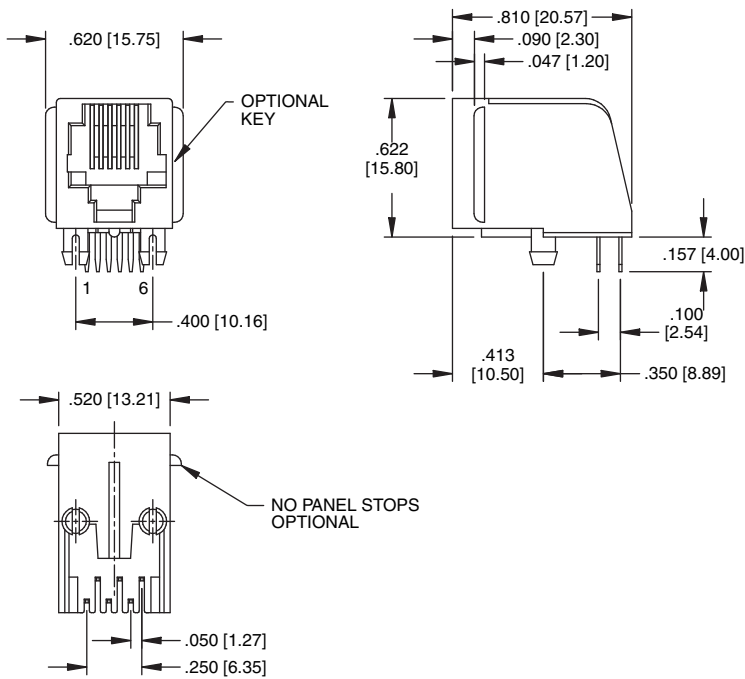


TYPE 1

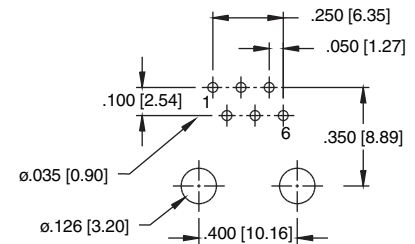
6P6C

6P4C



MTJ-661X1

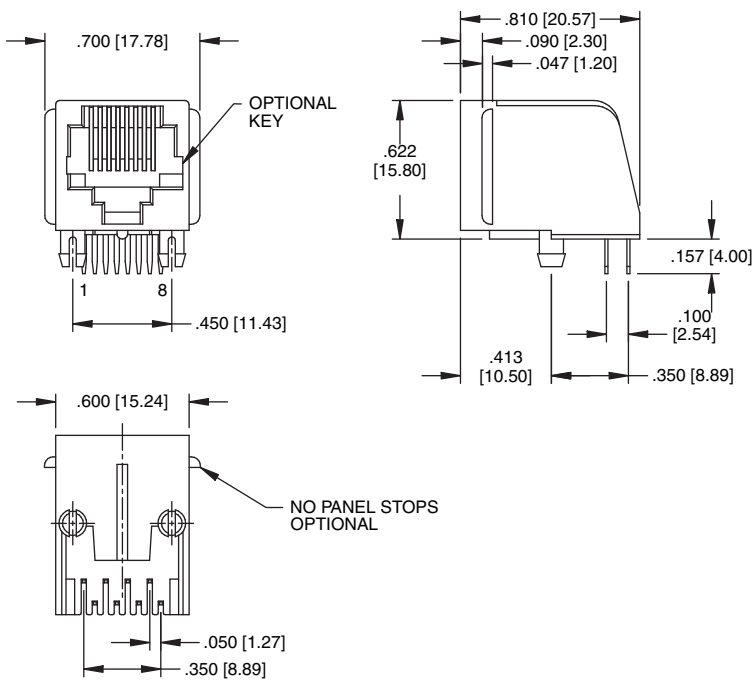
[Ordering Information pg. 9](#)



[Recommended PCB Layout](#)

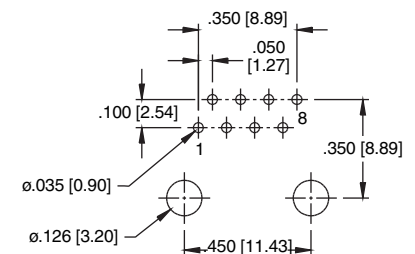
TYPE 1

8P8C



MTJ-881X1

[Ordering Information pg. 9](#)



[Recommended PCB Layout](#)